

FECHA: 17/12/2019



No. EXPEDIENTE
JCE-CCC-PU-05-01-2019

FORMULARIO PRESENTACIÓN DE OFERTA TÉCNICA

NOMBRE DEL OFERENTE:

RNC: 1-01-81983-9

RPE: 3082

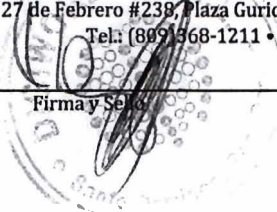
Bienes Requeridos para la adquisición de 11,350 Lectores de Huellas, Validez de la oferta 30 días Habiles		
Item No.	Descripción	Especificaciones Técnicas del bien ofertado
Item No. 1	Lector de Huellas	<p>11,350 x Lector de Huellas Digital Persona U.are.U 4500</p> <p>Resolución de imagen 500 dpi Optical Fingerprint Scanning Technology Escala de Gris 8 Bit, 256 niveles de gris Rechazo de huella falsa Área de escaneo 14.6 x 18.1 mm o superior Construcción robusta Soporte para dedos secos, húmedos Conexión USB 2.0 Tiempo de Garantía de 1 año en piezas y servicios Tiempo de entrega 7000 unidades en 14 días y el restante No excederá la 3era. semana de enero del 2020 Configuración Igual o mejor</p>

Notas (Cualquier detalle debe estar referenciado con el número de renglón):

Avenida 27 de Febrero #238, Plaza Guridy, Piso 1, La Esperilla, Santo Domingo, República Dominicana

Tel: (809) 568-1211 • www.digiworldrd.com • RNC 101-81983-9

Firma y Sello





611 Center Ridge Drive
Austin, Texas 78753 USA

FREE +1 800 237 7769
MAIN +1 512 776 9000
FAX +1 512 776 9630

13 de diciembre del 2019

DISTRIBUIDOR AUTORIZADO

Señores

**JUNTA CENTRAL ELECTORAL
COMITÉ DE COMPRAS Y CONTRATACIONES
República Dominicana
REF.: JCE-CCC-PU-05-01-2019**

HID Global, reconoce que la empresa **DIGIWORLD**, tiene el propósito de presentar una oferta de nuestros productos para el proceso de licitación de referencia **JCE-CCC-PU-05-01-2019**. Reconocemos que **DIGIWORLD**, es un Distribuidor y/o Representante Autorizado de nuestra marca para la venta y comercialización de nuestras soluciones en la República Dominicana.

De igual forma hacemos de su conocimiento que los equipos contenidos en esta ofertan son completamente nuevos, sin uso y no remanufacturados. Además, poseen garantía de fabricación y de suministro de repuestos contra defectos de manufactura por un tiempo de un año, de acuerdo con nuestras políticas de garantía para el producto.

La presente certificación tiene validez de seis (6) meses para licitaciones públicas a partir de esta fecha.

Cordialmente,

Breno Figueiredo

Channels & Inside Sales Manager
HID Extended Access Technologies – Latin America
Phone: (512) 776-9321
Mobile: (512) 662-9100
bfigueiredo@hidglobal.com



611 Center Ridge Dr., Austin, TX 78753
www.hidglobal.com



Target Applications

- Desktop PC security
- Mobile PCs
- Custom applications

Features

- Blue LED
- Small form factor
- Excellent image quality
- Superior ESD resistance
- Encrypted fingerprint data
- Latent print rejection
- Counterfeit finger rejection
- Rotation invariant
- Logged
- Works well with dry, moist or rough fingerprints
- Compatible with Windows[®] 7, Vista, XP Professional, 2000 and Windows Server 2000, 2003, 2008

Key Specifications

- Pixel resolution: 512 dpi (average x, y over the scan area)
- Scan capture area: 14.6 mm (nom. width at center) 18.1 mm (nom. length)
- 8-bit grayscale (256 levels of gray)
- Reader size (approximate): 65 mm x 36 mm x 15.56 mm
- Compatible with USB 1.0, 1.1 and 2.0 (Full Speed) specifications
- Indoor, home and office use



Product Description

The U.are.U 4500 Reader is an elegant, powerful fingerprint identity machine. With an executive-class look and feel, the U.are.U 4500 Reader is perfect for power users and shared environments. Its design is sleek and compact to conserve valuable desk space but it stays right where you put it because of its nice heft and special undercoating.

The U.are.U 4500 radiates an attractive blue glow that provides an unobtrusive presence in low light environments and also ensures that it does not compete with alarm colors in settings such as healthcare.

To use, you simply place your finger on the glowing window, and the reader quickly and automatically scans your fingerprint. For superior user feedback, a red "flash" indicates that a fingerprint image has been captured. On-board electronics calibrate the reader and encrypt the scanned data before sending it over the USB interface.

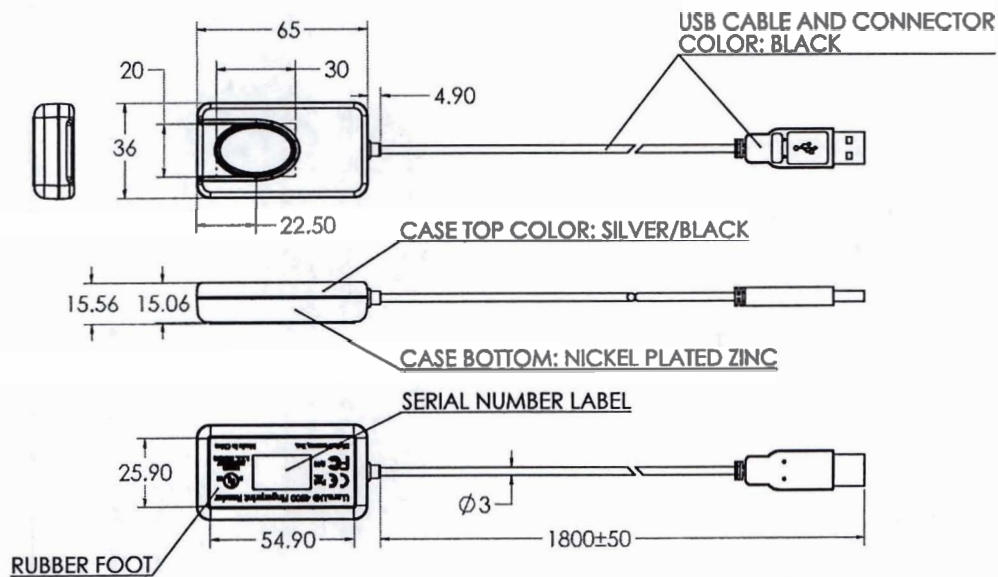
DigitalPersona readers utilize optical fingerprint scanning technology to achieve excellent image quality, a large capture area and superior reliability. The U.are.U 4500 Reader and DigitalPersona[®] Fingerprint Recognition Engine have an unmatched ability to authenticate even the most difficult fingerprints accurately and rapidly regardless of placement angle.

The U.are.U 4500 Reader can be purchased for use with DigitalPersona Pro Workstation, DigitalPersona Pro Kiosk, DigitalPersona Online or any of the DigitalPersona SDK packages. Whether you are an enterprise customer, a system integrator or a home user, DigitalPersona's fingerprint authentication solutions provide a natural extension to your security system and applications.



Part Number	Packaging
88003-001	Single unit
88003-B01	2 or more units - packaged bulk

Mechanical Specifications



ALL DIMENSIONS ARE IN MILLIMETERS

Ratings

Supply Voltage	5.0V ±5% supplied by USB
Supply Current—scanning	< 100 mA (Typical)
Supply Current—idle mode	120 mA (Typical)
Supply Current—suspend mode	< 0.5 mA (Maximum)
SD Susceptibility	> 15 kV, mounted in case
Temperature, Operating	0 - 40 C
Humidity, Operating	20% - 80% non-condensing
Temperature, Storage	-10 - 60 C
Humidity, Storage	20% - 90% non-condensing
Scan Data	8-bit grayscale
Standards Compliance	FCC Class B, CE, ICES, BSMI, MIC, USB, WHQL
Weight	105 grams
Interface	USB 2.0 Full-speed High Power Device

data subject to change without notice.

DigitalPersona, Inc.

720 Bay Road, Redwood City, CA 94063 USA

Tel: +1 650.474.4000 • Fax: +1 650.298.8313 • E-Mail: info@digitalpersona.com

©2005-2012 DigitalPersona, Inc. All rights reserved. DigitalPersona and U.are.U are trademarks of DigitalPersona, Inc. registered in the U.S. and other countries. All other brand and product names are trademarks or registered trademarks of their respective owners. MC-077-021313