

## Solución Propuesta

### Ítem 1

#### Cámara Bullet IP, 4PM

Modelo: DS-2CD2646G2T-IZS

Cantidad: 150 (Ciento cincuenta)

Marca: HIKVISION

Link Producto: <https://www.hikvision.com/en/products/IP-Products/Network-Cameras/Pro-Series-EasyIP-/ds-2cd2646g2t-izs/>



Cámara de red tipo bala varifocal motorizada AcuSense de 4 MP

- Imágenes de alta calidad con resolución de 4 MP
- Excelente rendimiento en condiciones de poca luz con tecnología impulsada por DarkFighter
- Lente varifocal motorizada para fácil instalación y monitoreo
- Imágenes claras contra una fuerte luz de fondo gracias a la tecnología WDR real de 120 dB
- Tecnología de compresión H.265+ eficiente
- Centrarse en la clasificación de objetivos humanos y de vehículos basada en el aprendizaje profundo
- Interfaz de audio y alarma disponible
- Resistente al agua y al polvo (IP67) y resistente al vandalismo (IK10)

**Para ampliar sobre las características del equipo ver datasheet adjunto y link descrito del producto donde atreves de los mismo cumplimos con todo lo descrito en las especificaciones descritas en el requerimiento.**

## Ítem 2

### Gabinete Rack 9U

Modelo: LN-WM09U6045-B

Cantidad: 35 (Treinta y cinco)

Marca: NETbox Series

Link Producto

[:https://lande.com.tr/en/cabinets/wall mounting cabinets and enclosures/netbox series/ln-wm09u6045-bl-111](https://lande.com.tr/en/cabinets/wall%20mounting%20cabinets%20and%20enclosures/netbox%20series/ln-wm09u6045-bl-111)

#### Información general

- Ancho : 600 mm
- Color : 9005RAL
- Longitud de riel a riel: 19 "
- Peso bruto: 17 kg
- Peso neto : 16 kg
- Altura del riel de montaje del equipo: 9 U
- Profundidad : 450 mm +150 mm
- Altura : 505 mm



## Ítem 3

### Gabinete Rack 7U

Modelo: LN-WM07U6045-B

Cantidad: 22 (Treinta y cinco)

Marca: NETbox Series

Link Producto

[:https://lande.com.tr/en/cabinets/wall mounting cabinets and enclosures/netbox series/ln-wm09u6045-bl-111](https://lande.com.tr/en/cabinets/wall%20mounting%20cabinets%20and%20enclosures/netbox%20series/ln-wm09u6045-bl-111)

#### Información general

Peso bruto: 14 kg

Longitud de riel a riel: 19 "

Ancho : 600 mm

Altura : 418mm

Color : 7035 RAL

Profundidad : 450 mm +150MM

Peso neto : 13 kg

Altura del riel de montaje del equipo: 7 U



**Ver link productos y datasheet para ampliar sobre los mismo.**

01001100 01100101 01101100 00101011 01100111 01000000 01001101 01100001 01101011 01100101 00100000 01101001 01101000 00100000 01101011 01101111 01100100 01101011 01100001

Propuesta de valor: Nombre del proyecto



RNC 130676967

Página 9 de 10

**NOTAS IMPORTANTES:**

**Tiempo de Entrega:**

8-9 semanas, a partir de recibida OC

**Garantía:**

Ítem 1 - 2 años

Ítem 2 y 3 - 1 año

**Garantía de la Oferta:**

60 días



*Handwritten note in blue ink*

01001100 011010101 01110100 00100111 01110011 00100000 01001101 01100001 01101011 01100101 00100000 01101001 01110100 00100000 01101011 01101111 01100010 01010111 00100001

Propuesta de valor: Nombre del proyecto





RNC:130-87696-7

19 de febrero de 2024

Señores  
**Comité de Compras y Contrataciones**  
**Junta Central Electoral**  
Santo Domingo, R. D.

Referencia: JCE-CCC-CP-2024-0004 – “Adquisición de Cámaras y Gabinetes (Racks)”

Asunto: **Condiciones de Pago**

Distinguidos señores:

Por medio de la presente **CERTIFICAMOS** que las Condiciones de Pago para este Proceso de Comparación de Precios, es como sigue:

- **Un primer pago del veinte por ciento (20%) por concepto de anticipo.**
- **El ochenta por ciento (80%) restante, con la entrega satisfactoria de la totalidad de los equipos ofertados.**

Atentamente,

Franklyn Geovanny Ciprian Goodin  
Representante Legal

**Calle Galá #8,**  
**Arroyo Hondo Viejo. Santo Domingo, RD.**  
☎ 809-540-4250  
✉ [ventas@iqteksolutions.com](mailto:ventas@iqteksolutions.com)  
🌐 [iqteksolutions.com](http://iqteksolutions.com)





RNC:130-87696-7

19 de febrero de 2024

Señores  
**Comité de Compras y Contrataciones**  
**Junta Central Electoral**  
Santo Domingo, R. D.

Referencia: JCE-CCC-CP-2024-0004 – “Adquisición de Cámaras y Gabinetes (Racks)”

Asunto: **Tiempo de Entrega**

Distinguidos señores:

Por medio de la presente **CERTIFICAMOS** que el tiempo de entrega de los equipos y materiales ofertados por nosotros en el Proceso de Comparación de Precios de referencia, es como sigue:

- De 8-9 semanas a partir de recibida la Orden de Compra o de la firma del Contrato.

Atentamente,

A handwritten signature in blue ink, appearing to read 'Franklyn Geovanny Ciprian Goodin'.

Franklyn Geovanny Ciprian Goodin  
Representante Legal

Calle Galá #8,  
Arroyo Hondo Viejo. Santo Domingo, RD.  
☎ 809-540-4250  
✉ [ventas@iqteksolutions.com](mailto:ventas@iqteksolutions.com)  
🌐 [iqteksolutions.com](http://iqteksolutions.com)





RNC:130-87696-7

19 de febrero de 2024

Señores  
**Comité de Compras y Contrataciones**  
**Junta Central Electoral**  
Santo Domingo, R. D.

Referencia: **JCE-CCC-CP-2024-0004 – “Adquisición Cámaras y Gabinetes (Racks)”**

Asunto: **Garantía**

Distinguidos señores:

Por medio de la presente **CERTIFICAMOS** que la garantía de los equipos ofertados por nosotros en el Proceso de Comparación de Precios de referencia, es como sigue:

- **Item 1 - Cámaras: Dos (2) años**
- **Item 2 – Gabinetes: Un (1) año**
- **Item 3 – Gabinetes: Un (1) año**

Atentamente,

A handwritten signature in blue ink, appearing to read 'Franklyn Geovanny Ciprian Goodin'.

Franklyn Geovanny Ciprian Goodin  
Representante Legal

Calle Galá #8,  
Arroyo Hondo Viejo. Santo Domingo, RD.  
☎ 809-540-4250  
✉ [ventas@iqteksolutions.com](mailto:ventas@iqteksolutions.com)  
🌐 [iqteksolutions.com](http://iqteksolutions.com)





## DS-2CD2646G2T-IZS

4 MP AcuSense Powered-by-DarkFighter Motorized Varifocal Bullet Network Camera

# AcuSense

Powered by  
**DarkFighter**



Empowered by deep learning algorithms, Hikvision AcuSense technology brings human and vehicle targets classification alarms to front- and back-end devices. The system focuses on human and vehicle targets, vastly improving alarm efficiency and effectiveness.

- High quality imaging with 4 MP resolution
- Excellent low-light performance with powered-by-DarkFighter technology
- Motorized varifocal lens for easy installation and monitoring
- Clear imaging against strong backlight due to 120 dB true WDR technology
- Efficient H.265+ compression technology
- Focus on human and vehicle targets classification based on deep learning
- Audio and alarm interface available
- Water and dust resistant (IP67) and vandal-resistant (IK10)

## ▪ Specification

### Camera

Image Sensor	1/3" Progressive Scan CMOS
Min. Illumination	Color: 0.003 Lux @ (F1.4, AGC ON), B/W: 0 Lux with IR
Max. Resolution	2688 × 1520
Shutter Time	1/3 s to 1/100,000 s
Day & Night	IR cut filter
Angle Adjustment	Pan: 0° to 355°, tilt: 0° to 90°, rotate: 0° to 360°

### Lens

Focal Length & FOV	2.8 to 12 mm, horizontal FOV 108° to 30°, vertical FOV 56° to 17°, diagonal FOV 131° to 35°
Lens Type	Varifocal lens, motor-driven lens, 2.8 to 12 mm
Aperture	F1.4
Lens Mount	Ø14
Iris Type	Fixed

### DORI

	2.8 to 12 mm:
DORI	Wide: D: 64.0 m, O: 25.4 m, R: 12.8 m, I: 6.4 m Tele: D: 190 m, O: 75.4 m, R: 38.0 m, I: 19.0 m

### Illuminator

Supplement Light Type	IR
Supplement Light Range	Up to 60 m
IR Wavelength	850 nm
Smart Supplement Light	Yes

### Video

Main Stream	50 Hz: 25 fps (2688 × 1520, 1920 × 1080, 1280 × 720)	
	60 Hz: 30 fps (2688 × 1520, 1920 × 1080, 1280 × 720)	
Sub-Stream	50 Hz: 25 fps (1280 × 720, 640 × 480, 640 × 360)	
	60 Hz: 30 fps (1280 × 720, 640 × 480, 640 × 360)	
Third Stream	50 Hz: 10 fps (1920 × 1080, 1280 × 720, 640 × 480, 640 × 360)	
	60 Hz: 10 fps (1920 × 1080, 1280 × 720, 640 × 480, 640 × 360)	
Video Compression	*Third stream is supported under certain settings.	
	Main stream: H.265/H.264/H.265+/H.264+	
	Sub-stream: H.265/H.264/MJPEG	
	Third stream: H.265/H.264	
Video Bit Rate	*Third stream is supported under certain settings.	
	32 Kbps to 8 Mbps	
	H.264 Type	Baseline Profile/Main Profile/High Profile
	H.265 Type	Main Profile
	Bit Rate Control	CBR/VBR
	Scalable Video Coding (SVC)	H.264 and H.265 encoding
	Region of Interest (ROI)	1 fixed region for main stream and sub-stream

### Audio

Environment Noise Filtering	Yes
Audio Sampling Rate	8 kHz/16 kHz/32 kHz/44.1 kHz/48 kHz





Audio Compression	G.711ulaw/G.711alaw/G.722.1/G.726/MP2L2/PCM/MP3/AAC-LC
Audio Bit Rate	64 Kbps (G.711ulaw/G.711alaw)/16 Kbps (G.722.1)/16 Kbps (G.726)/32 to 192 Kbps (MP2L2)/8 to 320 Kbps (MP3)/16 to 64 Kbps (AAC-LC)
<b>Network</b>	
Simultaneous Live View	Up to 6 channels
API	Open Network Video Interface ( Profile S, Profile G, Profile T), ISAPI, SDK, ISUP
Protocols	TCP/IP, ICMP, HTTP, HTTPS, FTP, DHCP, DNS, DDNS, RTP, RTSP, RTCP, NTP, UPnP, SMTP, IGMP, 802.1X, QoS, IPv4, IPv6, UDP, Bonjour, SSL/TLS, PPPoE, SNMP, ARP, WebSocket, WebSockets
User/Host	Up to 32 users 3 user levels: administrator, operator, and user
Security	Password protection, complicated password, HTTPS encryption, IP address filter, Security Audit Log, basic and digest authentication for HTTP/HTTPS, TLS 1.1/1.2, WSSE and digest authentication for Open Network Video Interface
Network Storage	NAS (NFS, SMB/CIFS), auto network replenishment (ANR) Together with high-end Hikvision memory card, memory card encryption and health detection are supported.
Client	iVMS-4200, Hik-Connect, Hik-Central Plug-in required live view: IE 10, IE 11,
Web Browser	Plug-in free live view: Chrome 57.0+, Firefox 52.0+, Edge 89+, Local service: Chrome 57.0+, Firefox 52.0+, Edge 89+
<b>Image</b>	
Wide Dynamic Range (WDR)	120 dB
SNR	≥ 52 dB
Privacy Mask	4 programmable polygon privacy masks
Day/Night Switch	Day, Night, Auto, Schedule
Image Enhancement	BLC, HLC, 3D DNR
Image Parameters Switch	Yes
Image Settings	Rotate mode, saturation, brightness, contrast, sharpness, gain, white balance adjustable by client software or web browser
<b>Interface</b>	
Alarm	1 input, 1 output (max. 24 VDC/24 VAC, 1 A)
Audio	1 input (line in), two-core terminal block, max. input amplitude: 3.3 Vpp, input impedance: 4.7 KΩ, interface type: non-equilibrium, 1 output (line out), two-core terminal block, max. output amplitude: 3.3 Vpp, output impedance: 100 Ω, interface type: non-equilibrium
On-Board Storage	Built-in memory card slot, support microSD/microSDHC/microSDXC card, up to 512 GB
Reset Key	Yes
Ethernet Interface	1 RJ45 10 M/100 M self-adaptive Ethernet port
<b>Event</b>	
Basic Event	Motion detection (support alarm triggering by specified target types (human and vehicle)), video tampering alarm, exception
Linkage	Upload to FTP/NAS/memory card, notify surveillance center, send email, trigger recording, trigger capture, audible warning
Smart Event	Scene change detection



### Deep Learning Function

Face Capture	Yes
Perimeter Protection	Line crossing, intrusion, region entrance, region exiting Support alarm triggering by specified target types (human and vehicle)

### General

Power	12 VDC $\pm$ 25%, 1.08 A, max. 13 W, $\varnothing$ 5.5 mm coaxial power plug, reverse polarity protection, PoE: IEEE 802.3at, Class 4, max. 15 W
Storage Conditions	-30 °C to 60 °C (-22 °F to 140 °F). Humidity 95% or less (non-condensing)
Startup and Operating Conditions	-30 °C to 60 °C (-22 °F to 140 °F). Humidity 95% or less (non-condensing)
Material	ADC12
Dimension	97.9 mm $\times$ 93 mm $\times$ 308.5 mm (3.9" $\times$ 3.7" $\times$ 12.1")
Package Dimension	385 mm $\times$ 190 mm $\times$ 180 mm (15.2" $\times$ 7.5" $\times$ 7.1")
Weight	Approx. 1355 g (3.0 lb.)
With Package Weight	Approx. 2011 g (4.4 lb.)
Language	33 languages: English, Russian, Estonian, Bulgarian, Hungarian, Greek, German, Italian, Czech, Slovak, French, Polish, Dutch, Portuguese, Spanish, Romanian, Danish, Swedish, Norwegian, Finnish, Croatian, Slovenian, Serbian, Turkish, Korean, Traditional Chinese, Thai, Vietnamese, Japanese, Latvian, Lithuanian, Portuguese (Brazil), Ukrainian
General Function	Heartbeat, mirror, flash log, password reset via email, pixel counter, anti-banding

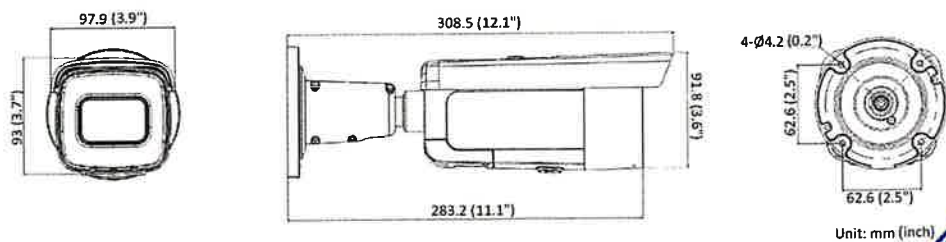
### Approval

EMC	FCC (47 CFR Part 15, Subpart B); CE-EMC (EN 55032: 2015, EN 61000-3-2: 2014, EN 61000-3-3: 2013, EN 50130-4: 2011+ A1: 2014); RCM (AS/NZS CISPR 32: 2015); KC (KN 32: 2015, KN 35: 2015)
Safety	UL (UL 60950-1); CB (IEC 60950-1: 2005 + Am 1: 2009 + Am 2: 2013); CE-LVD (EN 60950-1: 2005 + Am 1: 2009 + Am 2: 2013); LOA (IEC/EN 60950-1)
Environment Protection	CE-RoHS (2011/65/EU); WEEE (2012/19/EU); Reach (Regulation (EC) No 1907/2006) IP67 (IEC 60529-2013), IK10 (IEC 62262:2002)

### Available Model

DS-2CD2646G2T-IZS(2.8-12mm)(C)

### Dimension



▪ Accessory

▪ Optional

DS-1275ZJ-SUS Vertical pole mount	DS-1276ZJ-SUS Corner mount	DS-1260ZJ Junction box	DS-1280ZJ-S Junction box	DS-1275ZJ-S-SUS Vertical pole mount
				

**Headquarters**

No.555 Qianmo Road, Binjiang District,  
Hangzhou 310051, China  
T +86-571-8807-5998  
www.hikvision.com

Follow us on social media to get the latest product and solution information



Hikvision



HikvisionHQ



HikvisionHQ



Hikvision\_Global



Hikvision Corporate Channel



HikvisionHQ





# 19" NETbox Wall Mounting Cabinets





# 19" NETbox Wall Mounting Cabinets 60

## Family

### W=600mm NETbox Series Wall Mounting Cabinets

NETbox Series Networking Enclosures, provides a high quality product at a competitive price offering many features which benefit the installing engineer and end user.

Whilst the product gives maximum performance on cabling and networking infrastructure, in parallel provides a economic solution when compared to its quality, which is based on high quality fully automated production

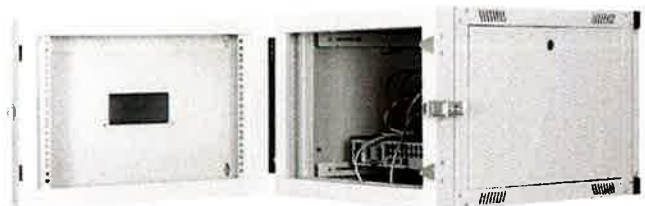
The NETbox range is available in W600xD450, W600xD600 and an optional rear section D:150 mm to upgrade the single section NETbox to a double section. NETbox Wall Cabinet series is available in 5 heights from 7U through to 20U, each cabinet is supplied as standard with a safety glass front door, screwed steel rear panel and lockable lift off side panels.

The optional rear section 150 mm extension converts the NETbox from a single section to a double section wall cabinet, allowing the cabinet to swing out and give access to the rear of the equipment for testing and maintenance.

The wide product height portfolio meets the majority of U requirements for infrastructure requirements.

NETbox series has a professional aesthetic look with safety glass front door with left/right frames an option of color RAL 9005 Black and RAL 7035 Light Grey, with fine wrinkle soft touch paint. providing a professional appearance for the office environment. The NETbox has a ABS Anthracite Grey Decorative header trim with art design on PVC, for projects or ongoing business there is potential to have your corporate colours or Company Logo on the trim.

Fully stocked product portfolio, being delivered a single piece assembled product, as shipping configuration 19" mounting profiles one set: 2 pieces 19" adjustable equipment mounting rails included.



# 19" NETbox Wall Mounting Cabinets 61

## Family

### Construction Details:

Main profile, framework, top/bottom cases, ABS fan housing:  
Multi folded automated bending technology corner profile system, which results in a heavy duty structure with high load capacity of: 80 kgs wall mounted.

Monoblock multi folded top and bottom panels provides a strong construction, for fixing to corner uprights. Top cover has a ventilated ABS fan cover.

The fan module can be installed from roof or alternatively from internally within the cabinet.

The advantage of this system is, when the fan unit needs maintenance or replacement the fan module unit can be installed from the roof without interference with installed. Equipment fan module integration housing replacement is toolless. Where the fan module to be inserted to the ABS fan module housing without any tools.

Top cover has integrated cable entry point with rubber edged sliding mechanism w:145 mm x d:70 mm allows cabling insertion. The rubber edged mechanism works between 0 to 50 mm slide out. After inserting the cables, the rubber edged mechanism holds and fixes the cables in parallel protecting the cabinet from dust entry.

Top cover, has ventilation slots at sides which provides passive air ventilation via convention. The ABS fan housing cover also provides passive ventilation.







# 19" NETbox Wall Mounting Cabinets 62

## Family

### Construction Details:

Front door is integrated with decorative 2,5 mm thick aluminium extruded frames, 4,0 mm thick, full height, smoked, safety, antistatic, glass with single point barrel lock.

Front door opening direction is set right to left, but is reversible to left to right on site if required. It is easy to remove the front door via a spring loaded hinge pin, which allows full access when installing equipment or cabling.

Alternative doors are available for customer selection.  
\*\*\* Please see door options at the end of each product size.

An option for decorative colored trims. For color coordination with blue, green, red, grey and dark grey.

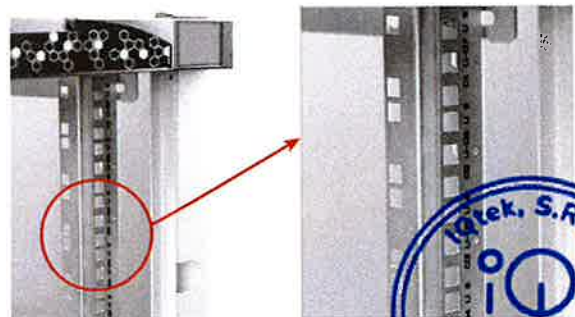
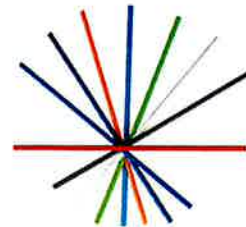
Lockable side panels with keyed barrel style lock, Multi-folded bending technology with 8 fold bending provides the strength and rigidity. Easy removal of side panels to help installation.

Rear panel is used for one engineer install, rear panel is fixed to the wall then the cabinet lifted into position, then are mechanically screwed to main.

Bottom case and rear panel integrated with PVC gland plate. Gland plate and rubber edged sliding mechanism could be replaced on site.

19" rails of Lande NETbox Series Wall Cabinet has automated silk-screen U numbering, from top to bottom or bottom to top to save time when installing equipment. 19" rails are 4 fold bending for strength 1,5 mm thickness provides the high load capacities. The 19" rails are made of steel with 8-12 micron zinc plating for corrosion resistance. 19" rails are adjustable in depth for easy adjustment just ease the screws and slide them in the channels on the top/bottom chassis depth bends.

With removable door and side panels the NETbox Series allows 3 way access to your enclosure and equipment, providing easy access to equipment for installation and maintenance needs.



# 19" NETbox Wall Mounting Cabinets 63

## Family

### Additional features:

NETbox Wall Cabinets has an ABS decorative header unit, there is an option to have a Digital Thermometer display with 1 meter cable probe, integrated with 2 lithium battery with 2 year life. It provides an external display highlighting the temperature within the cabinet.

Also an option to have sticky colour changing thermometer, range 20°C to 40°C.

NETbox Wall Cabinets has a replaceable decorative ABS header trim, standard colour Anthracite Grey, for projects or ongoing business there is potential to have your corporate colours or Company Logo.

NETbox Wall Cabinets have screwed rear panel. The panel can be used as wall fixing pattern on wall. This feature provides cost efficiency on site allowing one engineer to fit a heavy enclosure to the wall.

First the rear panel to be placed on wall for marking purposes, then the rear panel is fixed onto the wall without the main cabinet.

Finally the cabinet is hung over the fixed panel and secured to the rear panel by internal screws within the cabinet.

NETbox wall cabinets offers one more advantage for site application, the internal active and passive components can be assembled into the cabinet in the workshop. Once complete the cabinet can be fixed to the back-panel. This is a big advantage for technicians when the wall cabinet is to be assembled to high placement especially in a factory or warehouse location.



# 19" NETbox Wall Mounting Cabinets 64

## Family

### Additional features:

The Lande NETbox Wall Cabinet range has the option to fit castors or adjustable levelling feet. This feature provides a possibility of using wall cabinets as free standing cabinets, ideal for under-desk applications.



Please see detailed description in accessory section.

Part numbers to order:

\*\*\* LN-ZMN-TKR-5020-XX for Caster Set

LN-ZMN-PNY-1040-XX for Leveling Feet Set

If using the Lande NETbox wall cabinets as a free standing cabinet and access is required at the rear there is an option to request a hinged rear door option instead of screwed panel option.

Lande NETbox wall cabinets are delivered with 1 set: (2pcs) 19" vertical mounting rails. If a 4 point fixing shelf or any other 4 point fixing equipment to be installed, an additional set of 19" vertical mounting rails needs to be ordered. With this application it is possible to locate some deeper networking devices as well some heavy equipment like UPS's etc.

Part numbers to order:

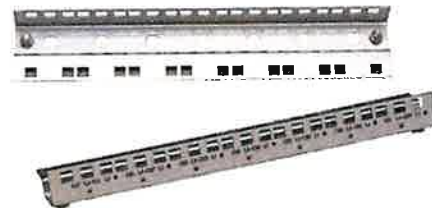
\*\*\*LN-PRF-CMD-XX UD-ZN

Define xx as the U height of intended NETbox Wall Cabinet to be used

Example Part Nr: LN-PRF-CMD-07UD-ZN

Please see detailed description in accessory section.

Lande NETbox wall cabinets are available both in RAL 7035 Light Grey color and RAL 9005 Black color. Please coordinate with sales department of Lande for any other color requirements especially for projects.





# 19" NETbox Wall Mounting Cabinets

Width: 600 mm  
Depth: 450 mm

65

**Load Capacity: 80 kgs.**

**U Height: 7U, 9U, 12U, 16U and 20U**

**Standards and Compliances:**



**ISO 9001**  
Quality Management System

EN 61587-1  
Mechanical Structures for  
Electronic Equipment

EN IEC 297-1, 19" Mounting  
EN IEC 297-2 Overall Cabinet  
Dimensions

EN/IEC 60529- IP20 Ingress Protection  
performance

EN/IEC 62262- IK07 Mechanical  
Impact Resistance

EIA/ ECA-310 (D/E) 19" 482,6 mm  
and U 44,45 mm Height Sizing



**CE conform to**  
EN 60950-1  
Information Technology  
Equipment, Safety,  
Part-1: General Requirement

EN IEC 62368-1 Audio/Video,  
Information and Communication  
Technology Equipment  
Part 1: Safety requirements



**UL listed to**  
UL 2416, Outline of Investigation for  
Audio/Video, Information and  
Communication Technology Equipment  
Cabinet, Enclosure and Rack  
Systems; UL 60950-1 and CSA  
C22.2 NO. 60950-1-07, Information  
Technology Equipment Safety  
Part 1: General Requirements



**Environment Friendly;**  
ISO 14001 Environmental  
Management System  
RoHS compliancy  
%100 Recyclable Material

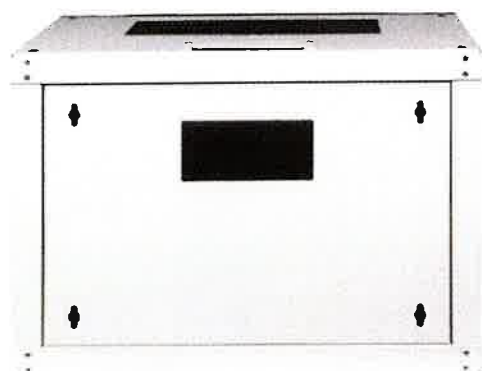
**Standard Colors:**



RAL 7035 Light Grey



RAL 9005 Black



All Lande NETbox Wall cabinets are delivered as a single piece pre-assembled enclosure, with standard factory settings.

The Lande NETbox has an option of doors to suit customer specific applications.

\*\*\* Please see door options in page 10.

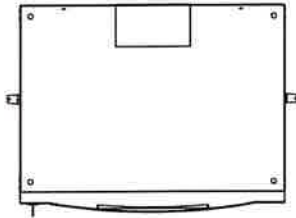


# 19" NETbox Wall Mounting Cabinets

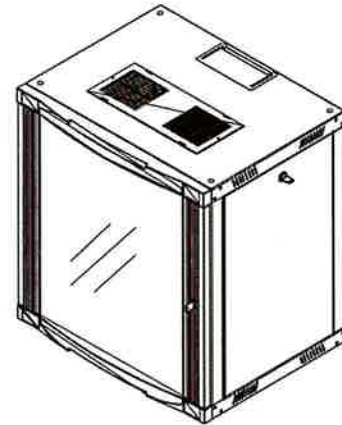
Width: 600 mm  
Depth: 450 mm

66

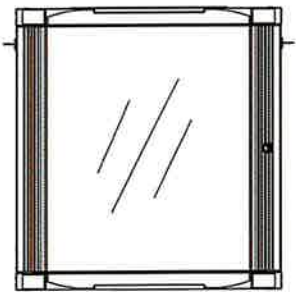
## Construction Drawings



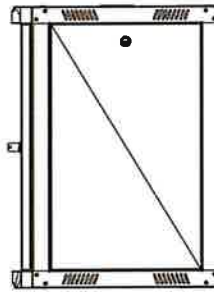
Bottom view



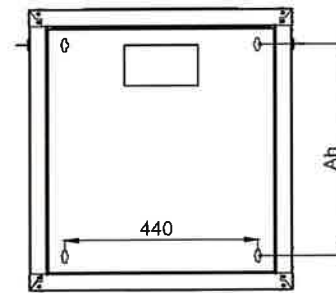
Isometric view



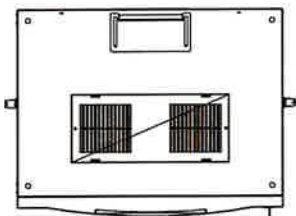
Front view



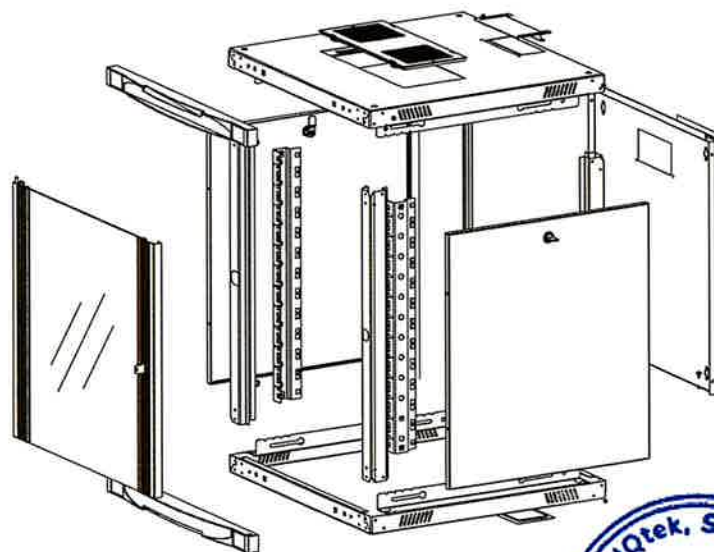
Side view



Rear view



Top view



Exploded view

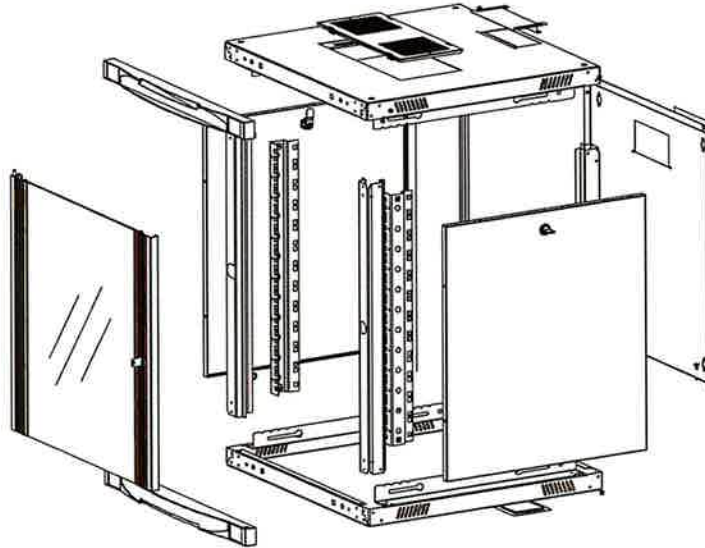




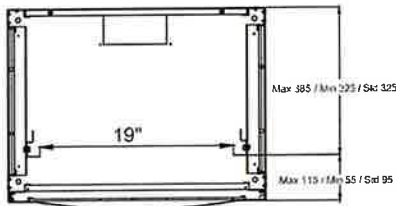
# 19" NETbox Wall Mounting Cabinets

Width: 600 mm  
Depth: 450 mm

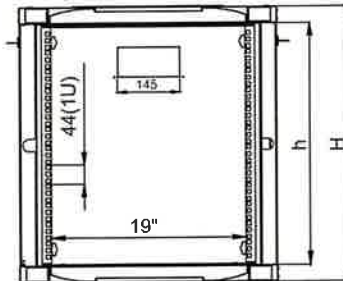
## Construction Drawings



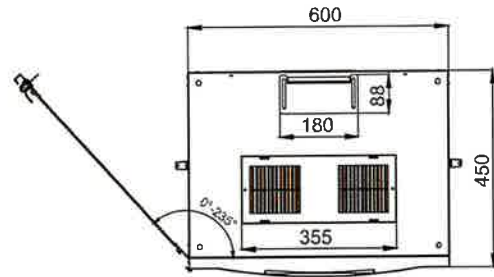
Exploded view



Front door opening angle



Max. / Std. / Min. Equipment mounting distance



Dimensions in width and height

### 19" NETbox Series Wall Mounting Cabinets W=600 mm D=450 mm

***Product Number	Product Description	Size WxDxH mm	h Size in U	h in mm	*H mm, overall without feet and/or castor	Ah Wall Mounting h mm	Width Overall mm	Width Rail to Rail	Depth Overall mm	**Depth Shipping Conf. Rail to Rear Panel mm	QTY IN PACKAGE	PACKING DIMENSIONS WxDxH mm	Standard NET Weight of Product kgs	Gross Weight of Product kgs	QTY IN PALLET	PALLET DIMENSIONS WxDxH mm	Pallet Weight kgs
LN-WM07U6045-CC-111	7U 19" Wall Mounting Cabinet W=600 mm D=450 mm	600x450x423	7U	311	418	260	600	19"	450	345	1	620x470x450	13	14	20	1100x1300x2400	302
LN-WM09U6045-CC-111	9U 19" Wall Mounting Cabinet W=600 mm D=450 mm	600x450x512	9U	400	505	349	600	19"	450	345	1	620x470x540	16	17	16	1100x1300x2280	294
LN-WM12U6045-CC-111	12U 19" Wall Mounting Cabinet W=600 mm D=450 mm	600x450x646	12U	533	640	482	600	19"	450	345	1	620x470x670	21	22	12	1100x1300x2150	286
LN-WM16U6045-CC-111	16U 19" Wall Mounting Cabinet W=600 mm D=450 mm	600x450x824	16U	711	818	660	600	19"	450	345	1	620x470x850	24	26	10	1100x1300x2450	282
LN-WM20U6045-CC-111	20U 19" Wall Mounting Cabinet W=600 mm D=450 mm	600x450x1001	20U	889	996	838	600	19"	450	345	1	620x470x1030	30	32	8	1100x1300x2550	290

\* Please add 30 mm to H mm once used with leveling feet, add 60 mm to H mm once used with castor set.

\*\* See min and max adjustable depth variations on drawings.

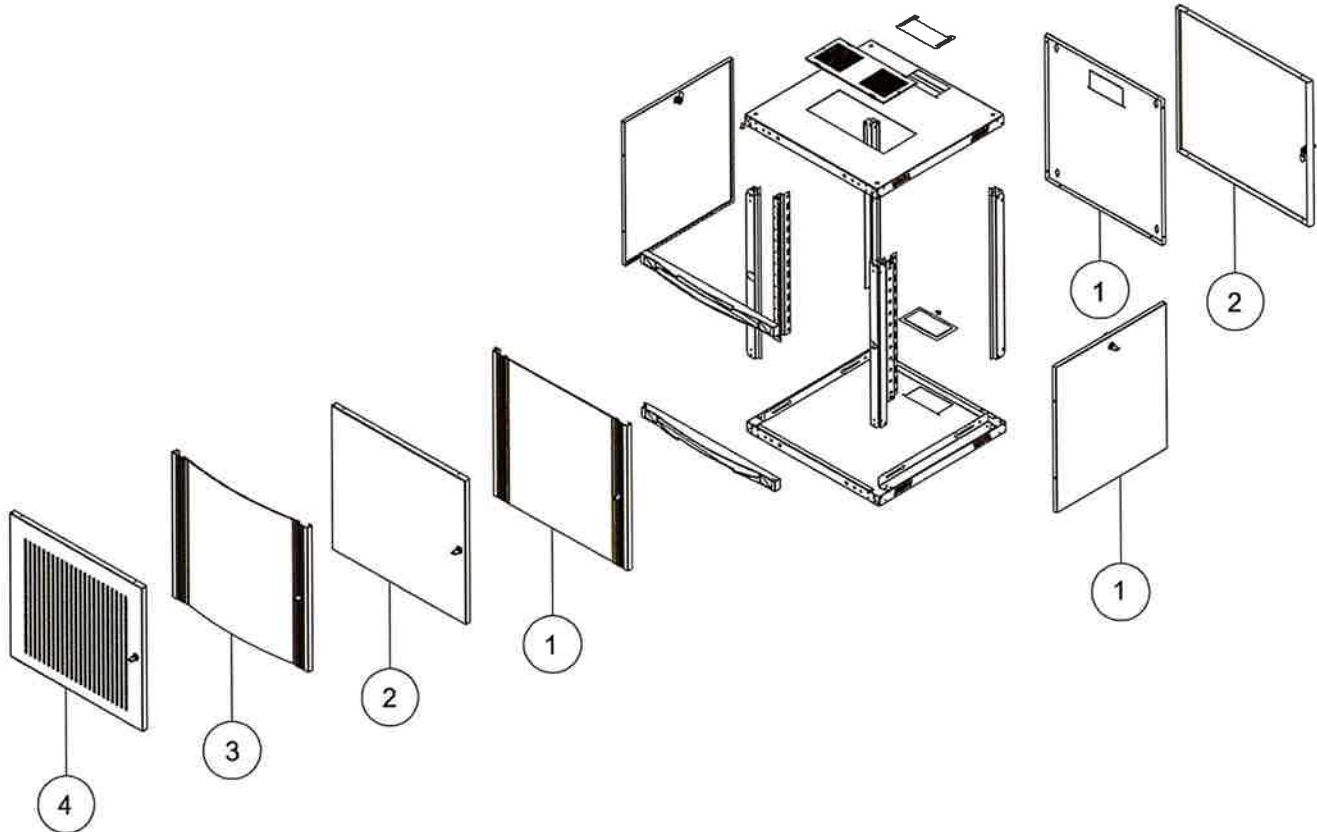
\*\*\* CC= LG for Light Gray RAL 7035 & BL for Black RAL 9005 for customers to define while ordering, for "111" selection please see the door options.



# 19" NETbox Wall Mounting Cabinets

Width: 600 mm  
Depth: 450 mm

## Door Options



NETbox Wall Mounting Cabinet W=600 mm D=450 mm All Heights FRONT DOOR Options	NETbox Wall Mounting Cabinet W=600 mm D=450 mm All Heights REAR DOOR Options	NETbox Wall Mounting Cabinet W=600 mm D=450 mm All Heights SIDE PANEL Options
<ul style="list-style-type: none"> <li>1 Single opening, flat shape, side framed glass front door, single point barrel lock</li> <li>2 Single opening, flat shape, complete solid metal front door, single point barrel lock</li> <li>3 Single opening, curved shape, side framed glass front door, single point barrel lock (Applicable on all U heights, please contact your sales representatives as it has MOQ.)</li> <li>4 Single opening, flat shape, %63 perforated metal front door, single point barrel lock</li> </ul>	<ul style="list-style-type: none"> <li>1 Factory configured screwed and mechanically locked rear panel included</li> <li>2 Hinged single point lock rear door</li> </ul>	<ul style="list-style-type: none"> <li>1 Both sides equipped with standard side panels</li> <li>0 No side panels on cabinet</li> </ul>
<b>LN-AA - XXU - WW - DD - CC</b>		<b>0 0 0</b>
<p>LN: Corporate codification beginning letters mentioning Lande in Short Format as LN</p> <p>AA: Family group of enclosure; WM for wall mounting cabinets</p> <p>XX: Numeric character defining the height of enclosures, depending on model differences between 07 to 20 to be selected from price list, website or catalogue</p> <p>U: U height alfa-numeric notation (non editable- fixed character)</p> <p>WW: The first 2 digits of the width info, 60 for W=600 mm cabinets</p> <p>DD: The first 2 digits of the depth info, 45 for D=450 mm cabinets</p> <p>CC: Color code, LG for Light Grey RAL 7035, BL for Black RAL 9005</p>		<p>2-3-4 are options, unless defined, configuration will be standard glass front door with option number 1.</p> <p>Two options, unless defined, screwed mechanically locked rear panel which is option number 1 will be in shipping configuration.</p> <p>1 both sides equipped with standard side panels 0 no side panels on cabinet.</p>



# 19" NETbox Wall Mounting Cabinets

Width: 600 mm **69**  
Depth: 600 mm

**Load Capacity: 80 kgs.**

**U Height: 7U, 9U, 12U, 16U and 20U**

**Standards and Compliances:**



**ISO 9001  
Quality Management System**

EN 61587-1  
Mechanical Structures for  
Electronic Equipment

EN IEC 297-1, 19" Mounting  
EN IEC 297-2 Overall Cabinet  
Dimensions

EN/IEC 60529- IP20 Ingress Protection  
performance

EN/IEC 62262- IK07 Mechanical  
Impact Resistance

EIA/ ECA-310 (D/E) 19" 482,6 mm  
and U 44,45 mm Height Sizing



**CE conform to**  
EN 60950-1  
Information Technology  
Equipment, Safety,  
Part-1: General Requirement

EN IEC 62368-1 Audio/Video,  
Information and Communication  
Technology Equipment  
Part 1: Safety requirements

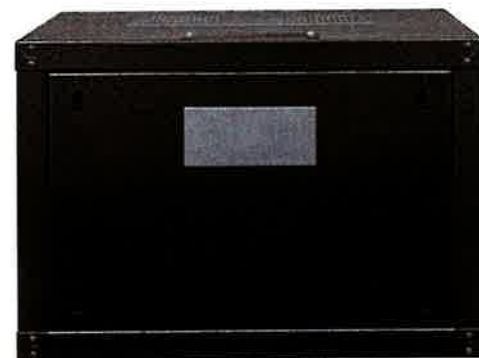


**UL listed to**  
UL 2416, Outline of Investigation for  
Audio/Video, Information and  
Communication Technology Equipment  
Cabinet, Enclosure and Rack  
Systems; UL 60950-1 and CSA  
C22.2 NO. 60950-1-07, Information  
Technology Equipment Safety  
Part 1: General Requirements



**Environment Friendly;**  
ISO 14001 Environmental  
Management System  
RoHS compliancy  
%100 Recyclable Material

**Standard Colors:**



NETbox Series Wall Mounting Networking Enclosures, with 19" w:600 mm and d:600 mm physical sizes, with max internal usable depth and 5 different height.

All Lande NETbox Wall cabinets are being delivered as a single piece pre-assembled enclosure, with standard factory settings.

The Lande NETbox has an option of doors to suit customer specific applications.

\*\*\* Please see door options in page 14

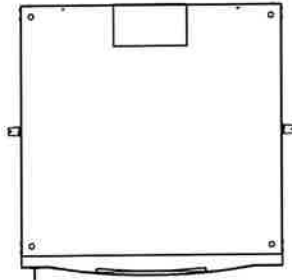




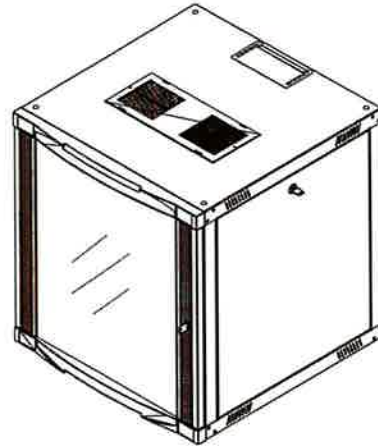
# 19" NETbox Wall Mounting Cabinets

Width: 600 mm  
Depth: 600 mm  
**70**

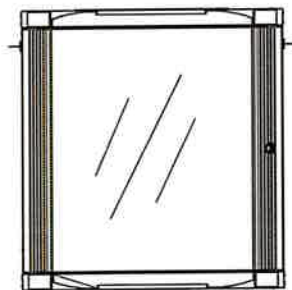
## Construction Drawings



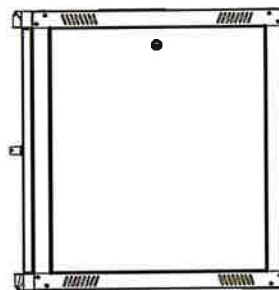
Bottom view



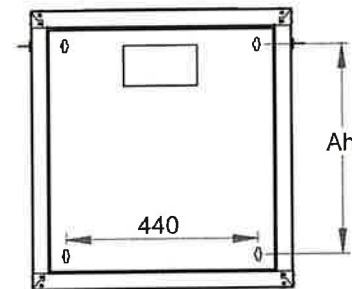
Isometric view



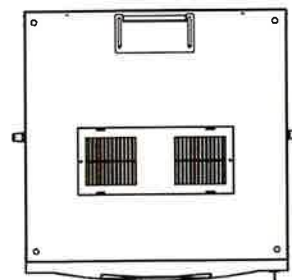
Front view



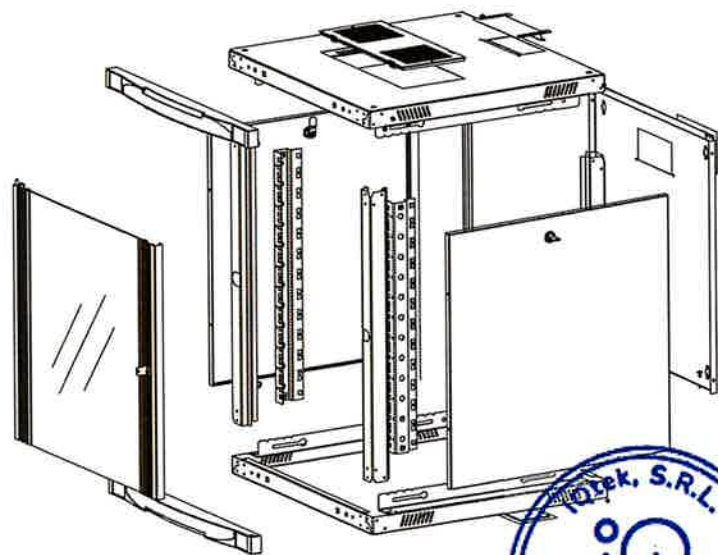
Side view



Rear view



Top view



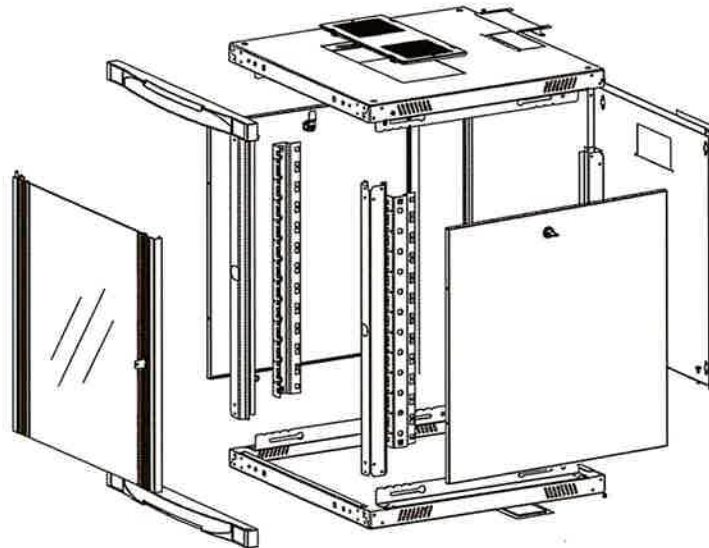
Exploded view



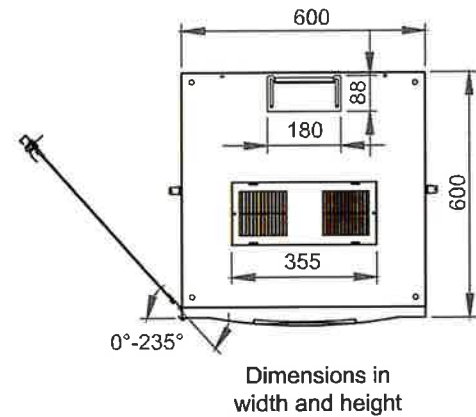
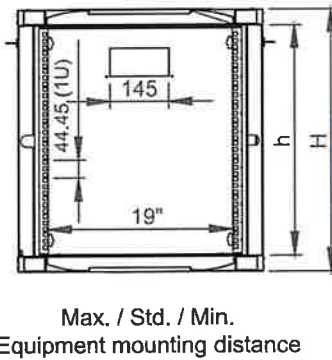
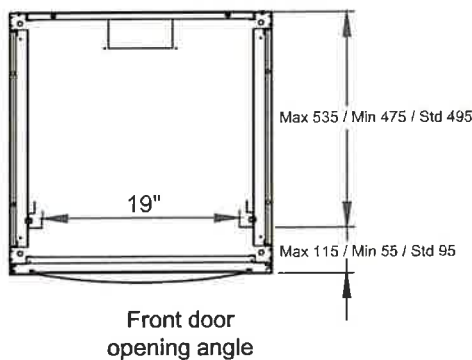
# 19" NETbox Wall Mounting Cabinets

Width: 600 mm **71**  
Depth: 600 mm

## Construction Drawings



Exploded view



### 19" NETbox Series Wall Mounting Cabinets W=600 mm D=600 mm

***Product Number	Product Description	Size WxDxH mm	h Size in U	h in mm	**H mm, overall without feet and/or castor	Alt Wall Mounting h mm	Width Overall mm	Width Rail to Rail	Depth Overall mm	**Depth Shipping Cent. Rail to Rear Panel mm	QTY IN PACKAGE	PACKING DIMENSIONS WxDxH mm	Standard NET Weight of Product kgs	Gross Weight of Product kgs	QTY IN PALLET	PALLET DIMENSIONS WxDxH mm	Pallet Weight kgs
LN-WM07U6060-CC-111	7U 19" Wall Mounting Cabinet W=600 mm D=600 mm	600x600x423	7U	311	418	260	600	19"	600	495	1	620x620x450	18	19	20	1300x1300x2400	406
LN-WM09U6060-CC-111	9U 19" Wall Mounting Cabinet W=600 mm D=600 mm	600x600x512	9U	400	505	349	600	19"	600	495	1	620x620x540	20	21	16	1300x1300x2280	362
LN-WM12U6060-CC-111	12U 19" Wall Mounting Cabinet W=600 mm D=600 mm	600x600x646	12U	533	640	482	600	19"	600	495	1	620x620x670	24	25,3	12	1300x1300x2150	329
LN-WM16U6060-CC-111	16U 19" Wall Mounting Cabinet W=600 mm D=600 mm	600x600x824	16U	711	818	660	600	19"	600	495	1	620x620x850	28	29,5	10	1300x1300x2950	421
LN-WM20U6060-CC-111	20U 19" Wall Mounting Cabinet W=600 mm D=600 mm	600x600x1001	20U	889	996	838	600	19"	600	495	1	620x620x1030	32	33,7	8	1300x1300x2280	395

\* Please add 30 mm to H mm once used with leveling feet, add 60 mm to H mm once used with castor set.

\*\* See min and max adjustable depth variations on drawings.

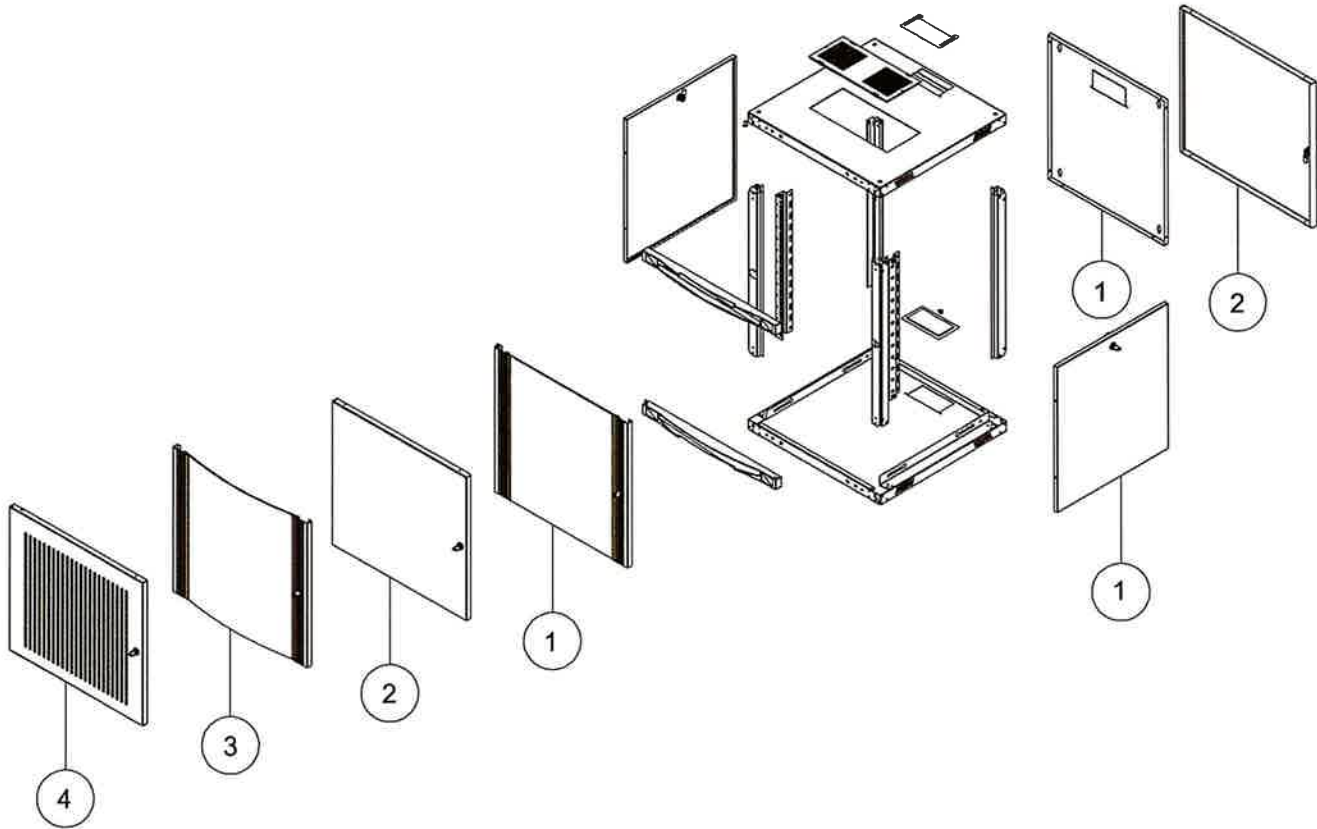
\*\*\* CC= LG for Light Grey RAL 7035 & BL for Black RAL 9005 for customers to define while ordering, for \*111\* selection please see the door options.



# 19" NETbox Wall Mounting Cabinets

Width: 600 mm **72**  
Depth: 600 mm

## Door Options



NETbox Wall Mounting Cabinet W=600 mm D=600 mm All Heights FRONT DOOR Options	NETbox Wall Mounting Cabinet W=600 mm D=600 mm All Heights REAR DOOR Options	NETbox Wall Mounting Cabinet W=600 mm D=600 mm All Heights SIDE PANEL Options
<ul style="list-style-type: none"> <li>1 Single opening, flat shape, side framed glass front door, single point barrel lock</li> <li>2 Single opening, flat shape, complete solid metal front door, single point barrel lock</li> <li>3 Single opening, curved shape, side framed glass front door, single point barrel lock (Applicable on all U heights, please contact your sales representatives as it has MOQ.)</li> <li>4 Single opening, flat shape, %63 perforated metal front door, single point barrel lock</li> </ul>	<ul style="list-style-type: none"> <li>1 Factory configured screwed and mechanically locked rear panel included</li> <li>2 Hinged single point lock rear door</li> </ul>	<ul style="list-style-type: none"> <li>1 Both sides equipped with standard side panels</li> <li>0 No side panels on cabinet</li> </ul>
<b>LN-AA - XXU - WW - DD - CC</b>		<b>0 0 0</b>
<p>LN: Corporate codification beginning letters mentioning Lande in Short Format as LN</p> <p>AA: Family group of enclosure; WM for wall mounting cabinets</p> <p>XX: Numeric character defining the height of enclosures, depending on model differences between 07 to 20 to be selected from price list, website or catalogue</p> <p>U: U height alfa-numeric notation (non editable- fixed character)</p> <p>WW: The first 2 digits of the width info, 60 for W=600 mm cabinets</p> <p>DD: The first 2 digits of the depth info, 60 for D=600 mm cabinets</p> <p>CC: Color code, LG for Light Grey RAL 7035, BL for Black RAL 9005</p>		<p>2-3-4 are options, unless defined, configuration will be standard glass front door with option number 1.</p> <p>Two options, unless defined, screwed mechanically locked rear panel which is option number 1 will be in shipping configuration.</p> <p>1 both sides equipped with standard side panels 0 no side panels on cabinet.</p>





# 19" NETbox Wall Mounting Cabinets

Width: 600 mm **73**  
Depth: 600 mm

Offered as Free Standing Purpose CASE STUDY

**Load Capacity: 80 kgs.**

**U Height: 22U and 26U**

Standards and Compliances:



**ISO 9001**  
Quality Management System

EN 61587-1  
Mechanical Structures for  
Electronic Equipment

EN IEC 297-1, 19" Mounting  
EN IEC 297-2 Overall Cabinet  
Dimensions

EN/IEC 60529- IP20 Ingress Protection  
performance

EN/IEC 62262- IK07 Mechanical  
Impact Resistance

EIA/ ECA-310 (D/E) 19" 482,6 mm  
and U 44,45 mm Height Sizing



**CE conform to**  
EN 60950-1  
Information Technology  
Equipment, Safety,  
Part-1: General Requirement

EN IEC 62368-1 Audio/Video,  
Information and Communication  
Technology Equipment  
Part 1: Safety requirements

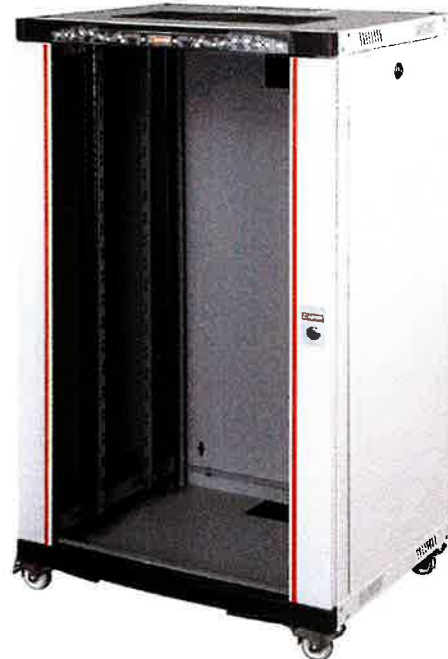
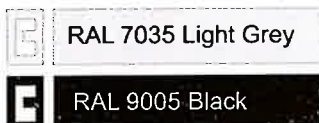


**UL listed to**  
UL 2416, Outline of Investigation for  
Audio/Video, Information and  
Communication Technology Equipment  
Cabinet, Enclosure and Rack  
Systems; UL 60950-1 and CSA  
C22.2 NO. 60950-1-07, Information  
Technology Equipment Safety  
Part 1: General Requirements



**Environment Friendly;**  
ISO 14001 Environmental  
Management System  
RoHS compliancy  
%100 Recyclable Material

Standard Colors:



LN-WM22U6060-LG-111



LN-WM22U6060-LG-121

For project case applications, Lande NETbox Wall Cabinets are being produced at 22U and 26U 600x600 mm sizes. These product sizes are not kept in stock. With hinged rear door application, as well caster group and leveling feet set added configuration should perform 80 kg on wall with a wall support kit and up to 300 kgs on the floor.

For case study drawings please see page 18.  
Please see door options in page 19.





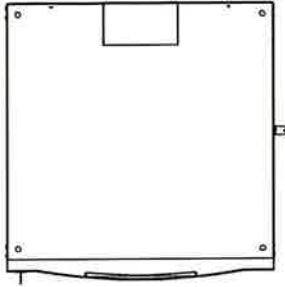
# 19" NETbox

## Wall Mounting Cabinets

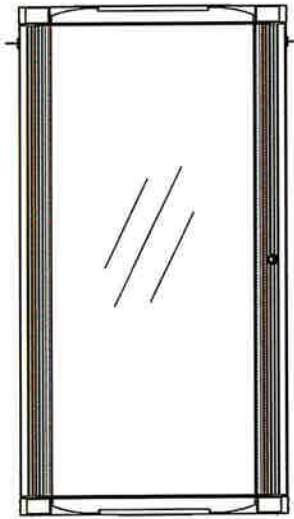
Offered as Free Standing Purpose CASE STUDY

Width: 600 mm **74**  
Depth: 600 mm

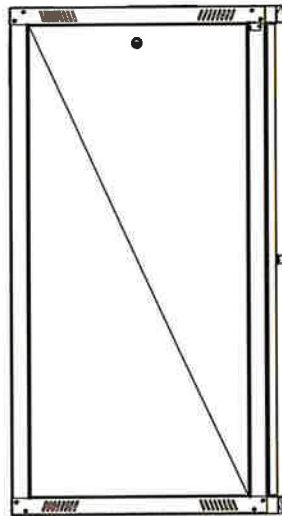
### Construction Drawings



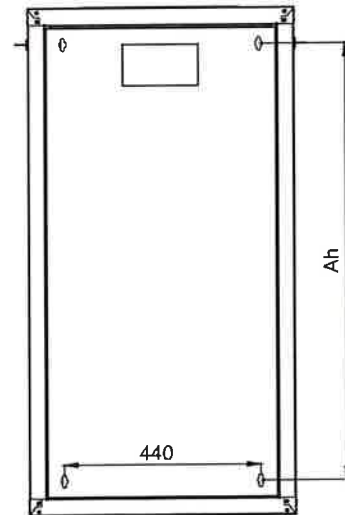
Bottom view



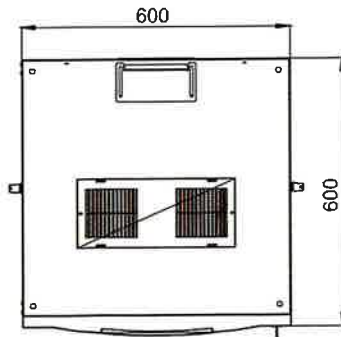
Front view



Side view



Rear view



Top view



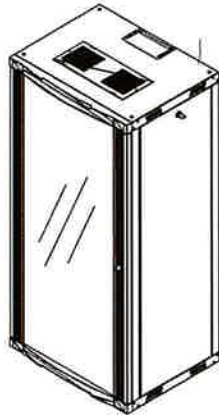
# 19" NETbox

## Wall Mounting Cabinets

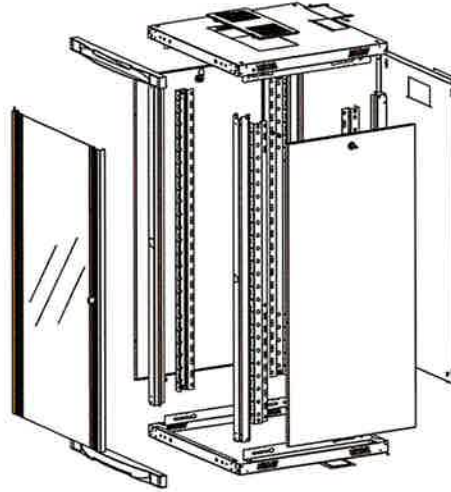
Offered as Free Standing Purpose CASE STUDY

Width: 600 mm **75**  
Depth: 600 mm

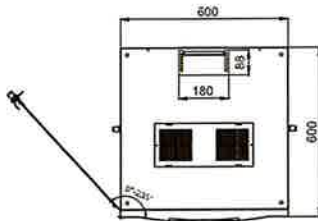
### Construction Drawings



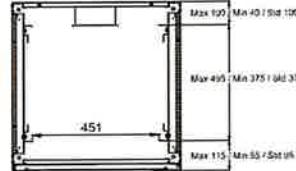
Isometric view



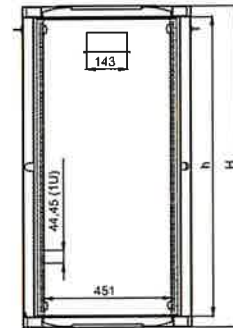
Exploded view



Front door opening angle



Max / Min / Std Equipment mounting distance



Dimensions in width and height

### 19" NETbox Series Wall Mounting Cabinets W=600 mm D=600 mm / 22U & 26U

***Product Number	Product Description	Size WxDxH mm	h Size in U	h in mm	*H mm, overall without feet and/or castor	Ah Wall Mounting h mm	Width Overall mm	Width Rail to Rear Door	Depth Overall mm	**Depth Shipping Conf. Rail to Rail mm	QTY IN PACKAGE	PACKING DIMENSIONS WxDxH mm	Standard NET Weight of Product kgs	Gross Weight of Product kgs	QTY IN PALLETTE	PALLETTE DIMENSIONS WxDxH mm	Pallette Weight kgs
LN-WM22U6060-CC-111	22U 19" Wall Mounting Cabinet W=600 mm D=600 mm with rear panel, 4 pcs equipment mounting rails	600x600x1090	22U	1004	1085	927	600	19"	600	375	1	620x620x1120	34,5	36	8	1300x1300x2380	314
LN-WM26U6060-CC-111	26U 19" Wall Mounting Cabinet W=600 mm D=600 mm with rear panel, 4 pcs equipment mounting rails	600x600x1268	26U	1181	1263	1105	600	19"	600	375	1	620x620x1300	39,5	41	6	1300x1300x2050	275
LN-WM22U6060-CC-121	22U 19" Wall Mounting Cabinet W=600 mm D=600 mm with hinged and barrel locking rear door, 4 pcs equipment mounting rails	600x600x1090	22U	1004	1085	-	600	19"	600	375	1	620x620x1120	36	37	8	1300x1300x2380	310
LN-WM26U6060-CC-121	26U 19" Wall Mounting Cabinet W=600 mm D=600 mm with hinged and barrel locking rear door, 4 pcs equipment mounting rails	600x600x1268	26U	1181	1263	-	600	19"	600	375	1	620x620x1300	40	42	6	1300x1300x2050	269
LN-RAF-RAY-WM-CC	Wall support kit for 22U and 26U size W=600 mm D=600 mm, recommended to use on wall 1 set 2 pcs	250x250x50	-	-	-	-	-	-	-	-	1 set	260x260x110	1,8	2	-	-	-

\* Please add 30 mm to H mm once used with leveling feet, add 60 mm to H mm once used with castor set.

\*\* See min and max adjustable depth variations on drawings.

\*\*\* CC= LG for Light Grey RAL 7035 & BL for Black RAL 9005 for customers to define while ordering, for \*111" selection please see the door options.





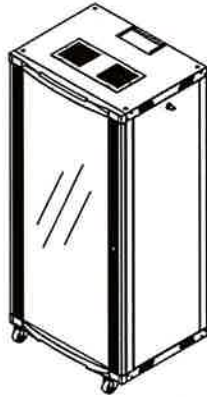
# 19" NETbox

## Wall Mounting Cabinets

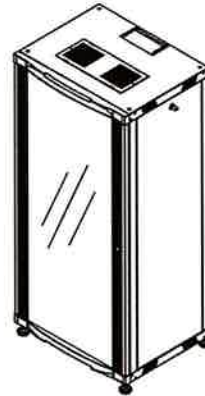
Offered as Free Standing Purpose CASE STUDY

Width: 600 mm  
Depth: 600 mm

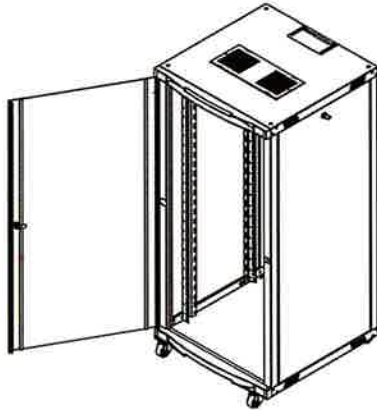
76



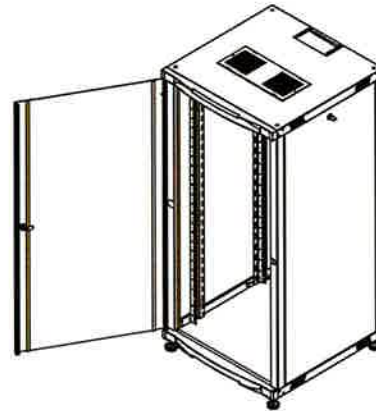
Isometric view with leveling feet



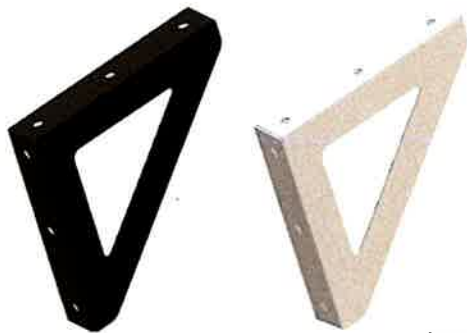
Isometric view with caster set



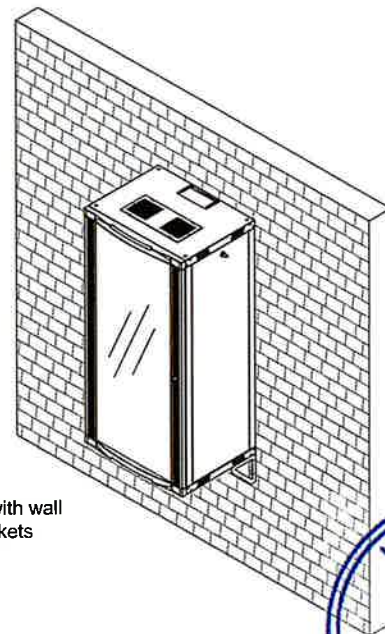
Isometric rear view with leveling feet with hinged rear door



Isometric rear view with castor set with hinged rear door



Isometric view with wall support brackets



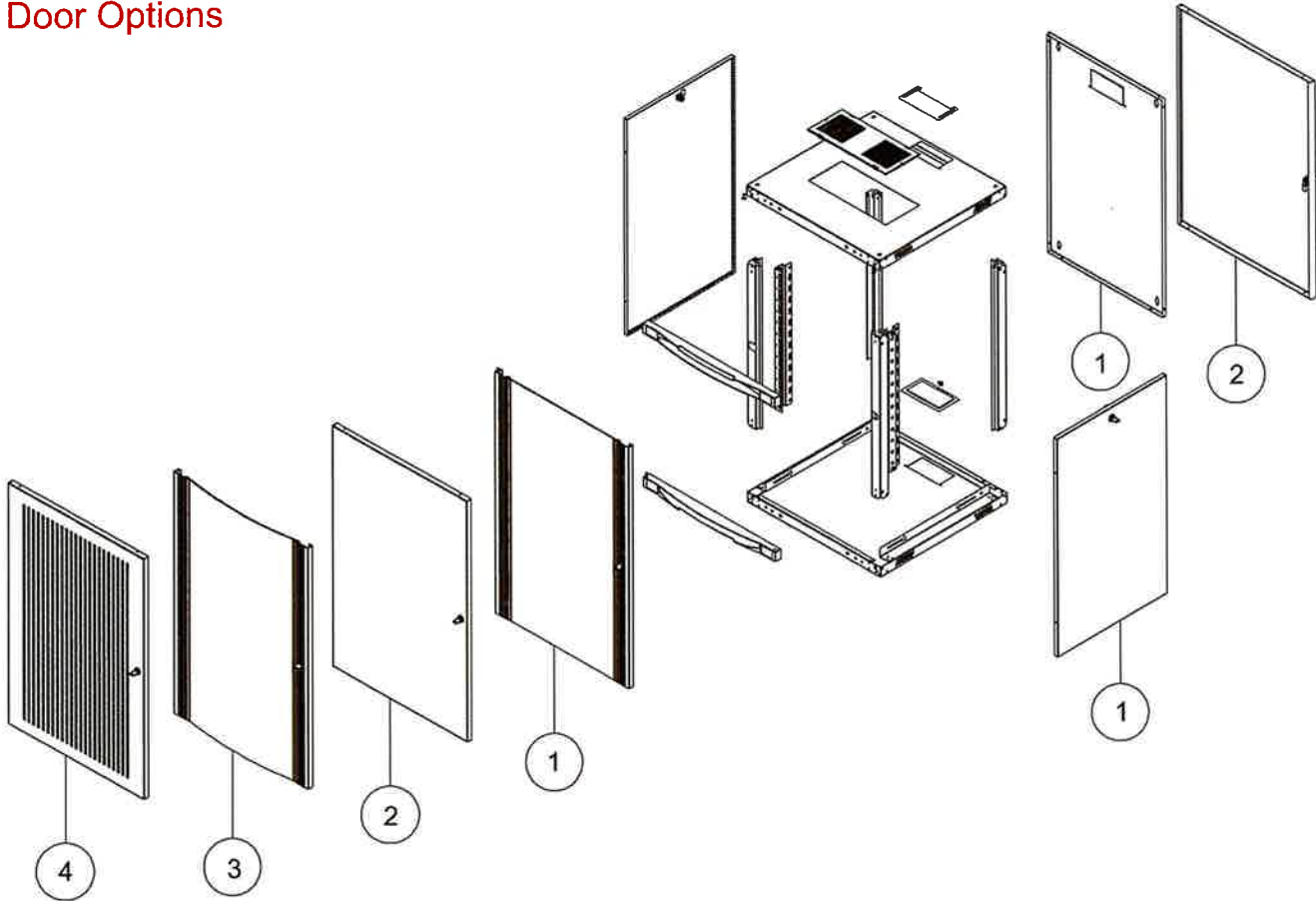
# 19" NETbox

Width: 600 mm **77**  
Depth: 600 mm

## Wall Mounting Cabinets

Offered as Free Standing Purpose CASE STUDY

### Door Options



NETbox Wall Mounting Cabinets Offered as Free Standing Purpose CASE STUDY W=600 mm D=600 mm All Heights FRONT DOOR Options	NETbox Wall Mounting Cabinets Offered as Free Standing Purpose CASE STUDY W=600 mm D=600 mm All Heights REAR DOOR Options	NETbox Wall Mounting Cabinets Offered as Free Standing Purpose CASE STUDY W=600 mm D=600 mm All Heights SIDE PANEL Options
<ol style="list-style-type: none"> <li>1 Single opening, flat shape, side framed glass front door, single point barrel lock</li> <li>2 Single opening, flat shape, complete solid metal front door, single point barrel lock</li> <li>3 Single opening, curved shape, side framed glass front door, single point barrel lock (Applicable on all U heights, please contact your sales representatives as it has MOQ.)</li> <li>4 Single opening, flat shape, %63 perforated metal front door, single point barrel lock</li> </ol>	<ol style="list-style-type: none"> <li>1 Factory configured screwed and mechanically locked rear panel included</li> <li>2 Hinged single point lock rear door</li> </ol>	<ol style="list-style-type: none"> <li>1 Both sides equipped with standard side panels</li> <li>0 No side panels on cabinet</li> </ol>
<b>LN-AA - XXU - WW - DD - CC</b>		<b>0 0 0</b>
<p>LN: Corporate codification beginning letters mentioning Lande in Short Format as LN</p> <p>AA: Family group of enclosure; WM for networking enclosures range</p> <p>XX: Numeric character defining the height of enclosures, depending on model differences between 07 to 20 to be selected from price list, website or catalogue</p> <p>U: U height alphanumeric notation, concrete (non editable- fixed character)</p> <p>WW: The first 2 digits of the width info, 60 for W=600 mm cabinets</p> <p>DD: The first 2 digits of the depth info, 60 for D=600 mm cabinets</p> <p>CC: Color code, LG for Light Grey RAL 7035, BL for Black RAL 9005</p>		<p>2-3-4 are options, unless defined, configuration will be standard glass front door with option number 1.</p> <p>Two options, unless defined, screwed mechanically locked rear panel which is option number 1 will be in shipping configuration.</p> <p>1 both sides equipped with standard side panels 0 no side panels on cabinet.</p>







# 19" NETbox Double Section for Wall Mounting Cabinets

78

## Features of rear wall section:

All Lande NETbox Wall Cabinets are manufactured to take rear section unit. Rear section is heavy duty welded framed construction. 2,0 mm thickness material welded as multi layer system creates at wall fixing provision a thickness of 4,0 mm.

A PVC cable entry gland plate is available at the rear for cable entry from the wall.

There is a 19" provision located at rear section, which allows if any passive cabling component needs to be housed, while the cable bundles could be housed inside the 100 mm depth of rear section.

Triangular, positioning brackets buried into the 100 mm rear housing box for alignment and strength.

Spanner style special locking mechanism fixes the rear 100 mm box, in the welded 50 mm depth frame, which integrates the rear section to the main NETbox wall cabinet.

Top and bottom of the rear section module has cable entry cut-outs closed with brushed cable entry provisions.

The design of the rear section has a specific flange system designed for heavy duty loading where 50 kgs of front NETbox wall cabinet total load is being carried without any problem. The 50 kgs of load capacity exists and performs while cabinet is in swinging position.

\*\*\* 50 kgs load capacity measured at integrated frontal wall cabinet of d:450 mm.

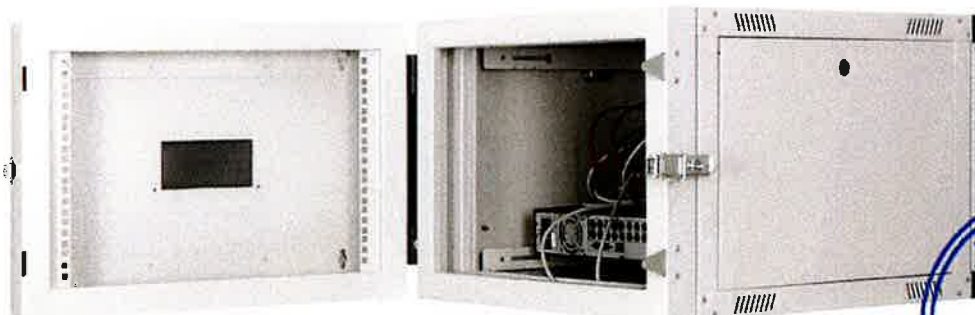
NETbox Rear Section Module, can be integrated to d:450 mm version wall mounting cabinet, which overall cabinet dimension to be  $450+150=600$  mm, the load capacity is 50kgs.

Once a deeper equipment to be fitted for the same purposes, NETbox rear section can be integrated to d:600 mm version wall mounting cabinet, which overall cabinet dimension to be  $600+150=750$  mm, the load capacity 35 kgs of load could be operated at swinging position. \*\*\* At 600 + 150 mm configuration, recommended to use for free standing purposes.

NETbox rear section units are being sold as a optional extra so it can be fitted later to any of available NETbox wall mounting cabinet to upgrade a single NETbox to a double. This feature simply offers a flexibility and availability since if there is stocked wall mounting cabinet available in warehouses, customer should need to order only the rear section unit. After removing the rear panel of existing Wall mounting cabinet, only 4 screws to be tighten again for integration of rear section unit.

NETbox rear section swinging direction can be easily changed, opening left to right or right to left.

Lande NETbox rear sections are available both in RAL 7035 Light Grey color and RAL 9005 Black color.



# 19" NETbox Double Section for Wall Mounting Cabinets

## Additional Features of Rear Section Integrated NETbox Double Section Wall Mounting Cabinets:

The feature of integration with castors or adjustable levelling feet is applicable for double section wall mounting cabinet if intended to use as free standing cabinet.



Please see detailed description in accessory section.

Part numbers to order:

\*\*\* LN-ZMN-TKR-5020-XX for Castor Set

LN-ZMN-PNY-1040-XX for PVC Levelling Feet Set

Once using the Lande NETbox double section wall cabinets for free standing purposes and access from rear of the enclosure could be managed by swinging capability of rear section.

Lande NETbox wall cabinets are being delivered with 1 set: 2 pcs 19" rails a 4 point fixing shelf or any other 4 point fixing equipment is to be installed in double section wall mounting cabinets, an additional set of 19" will need rails to be ordered. With this application it is possible to locate some deeper networking devices as well some heavy equipments like UPS's etc.

Part numbers to order:

\*\*\*LN-PRF-CMD-xx UD-ZN

Define xx as the U height of intended NETbox wall cabinet to be used.

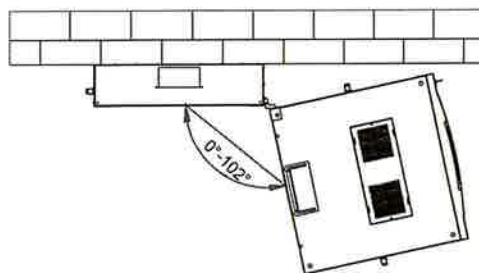
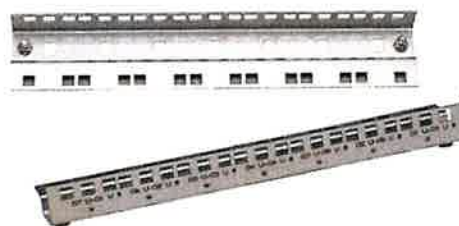
Example Part Nr: LN-PRF-CMD-07UD-ZN

Please see detailed description in accessory section.

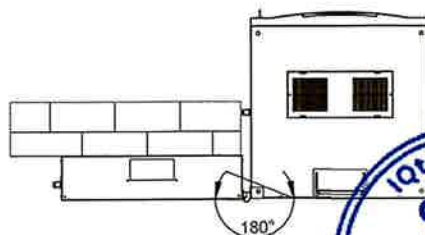
NETbox double section cabinets has the same front door variations as the d:450 mm or d:600 mm.

NETbox rear section module, can swing up to 102 degree opening, which is the best performance in its sector. If cabinet is used as free standing cabinet then 180 degree swinging is possible.

While cabinet is wall mounted, access can be managed to enclosure in fully swing out position up to 180 degree.



Double section wall opening angle



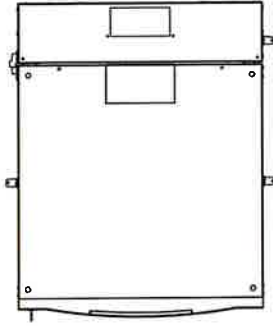
Double section column opening angle



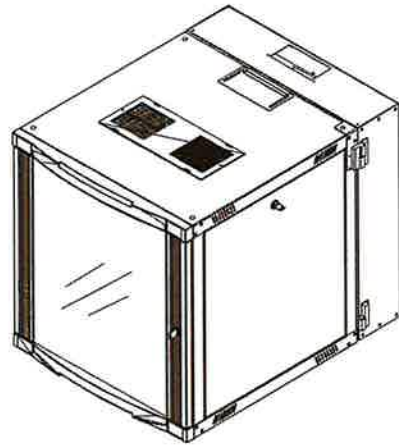
# 19" NETbox Double Section for Wall Mounting Cabinets

Width: 600 mm  
Depth: 150 mm

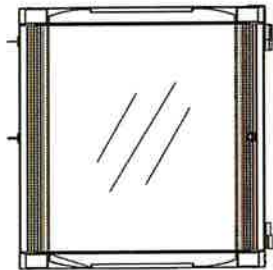
## Construction Drawings



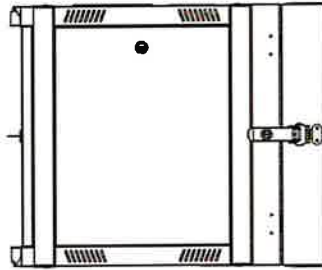
Bottom view



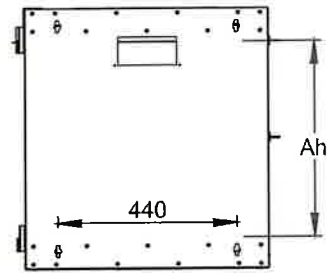
Isometric view



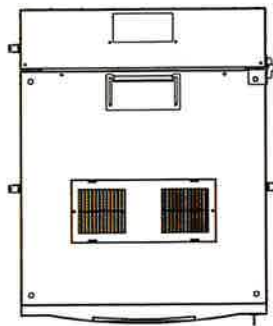
Front view



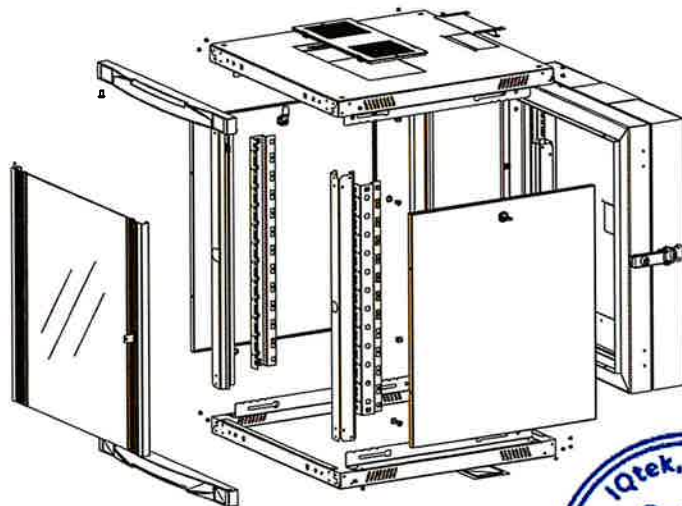
Side view



Rear view



Top view



Exploded view



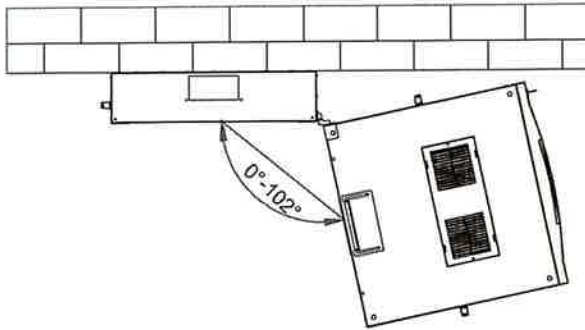


# 19" NETbox Double Section for Wall Mounting Cabinets

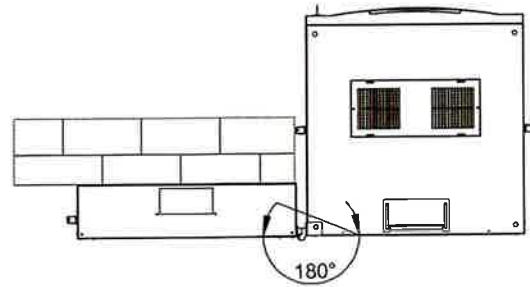
Width: 600 mm  
Depth: 150 mm

81

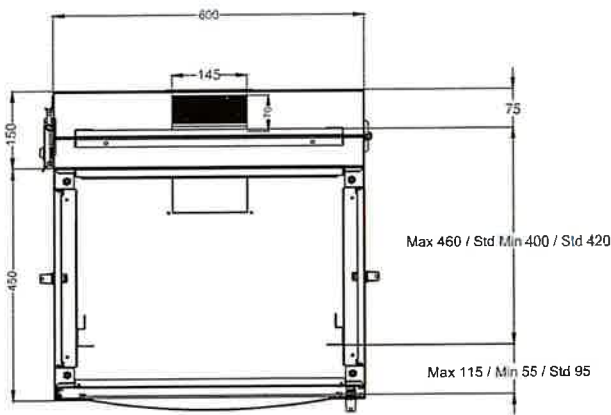
## Construction Drawings



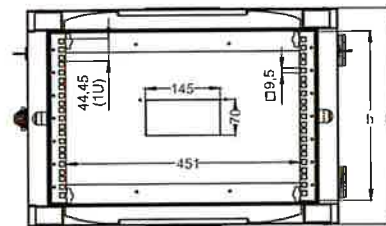
Double section wall opening angle



Double section column opening angle



Max / Std / Min  
Equipment Mounting Distance



Dimensions in  
width and height

### 19" NETbox Series Wall Mounting Cabinets Rear Section Module W=600 mm D=150 mm

*Product Number	Product Description	Size WxDxH mm	h Size In U	h In mm	H mm, overall	Ah Wall Mounting In mm	Width Overall mm	Width Rail to Rail	Depth Overall mm	QTY IN PACKAGE	PACKING DIMENSIONS WxDxH mm	Standard NET Weight of Product kgs	Gross Weight of Product kgs
LN-WM07U6015-CC	NETbox Wall Mounting Cabinet 7U Rear Section	600x150x423	7U	311	418	300	600	19"	150	1	655x175x450	8,2	8,8
LN-WM09U6015-CC	NETbox Wall Mounting Cabinet 9U Rear Section	600x150x512	9U	400	505	389	600	19"	150	1	655x175x535	10,4	11,3
LN-WM12U6015-CC	NETbox Wall Mounting Cabinet 12U Rear Section	600x150x646	12U	533	640	522	600	19"	150	1	655x175x665	13,3	15
LN-WM16U6015-CC	NETbox Wall Mounting Cabinet 16U Rear Section	600x150x824	16U	711	818	700	600	19"	150	1	655x175x850	17,3	19
LN-WM20U6015-CC	NETbox Wall Mounting Cabinet 20U Rear Section	600x150x1001	20U	889	996	878	600	19"	150	1	655x175x1025	21,3	25

\* CC= LG for Light Grey RAL 7035 & BL for Black RAL 9005 for customers to define while ordering.

\*\* Heavy duty rear section products can be ordered separately as an accessory and installation can be done on site with 4 screws only. Only rear panel of the NETbox cabinet to be removed and rear section will be installed. In case required factory assembled delivery can be offered.





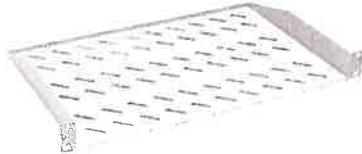


# 19" NETbox Wall Mounting Cabinets 82

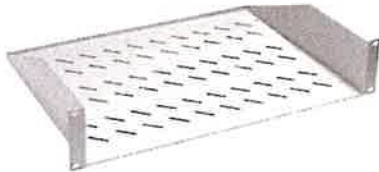
## Frequent Used Accessorries



LN-RAF-RMO-1U25-CC



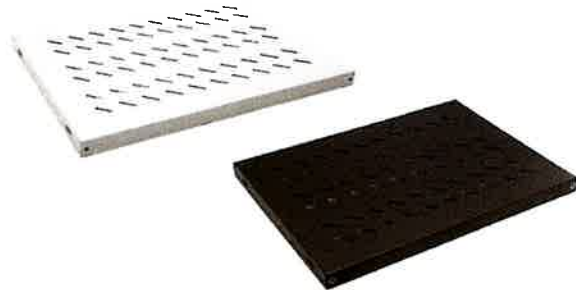
LN-RAF-RMO-2U35-CC



The Shelf is front mount assembly to the equipment mounting rails. Universal fitting so Multivendor, the shelves are manufactured with ventilation slots allowing the convection of heated air inside cabinets, supply is in RAL 9005 Black and RAL 7035 Light Grey colors. Material steel with high Load capacity 15 kgs.

NETbox Wall Mounting Cabinet - 2 Point Fixed Shelves		
* Part Number	w:600 x d:450 mm	w:600 x d:600 mm
LN-RAF-RMO-1U25-CC	✓	✓
LN-RAF-RMO-2U35-CC	✓	✓

\* CC is color code: please insert BL for Black and LG for Light Grey on the part numbers while creating order.



Fixed Shelves, 4 point fixing, the shelves are manufactured with ventilation slots . to allow the convection of heated air inside cabinets Supply is in RAL 9005 Black and RAL 7035 Light Grey colors. Manufactured from steel providing high Load capacity 50 kgs.

NETbox Wall Mounting Cabinet - 4 Point Fixed Shelves		
**Part Number	w:600 x d:450 mm	w:600 x d:600 mm
LN-RAF-SBT-D600-PR-CC	-	✓

\* CC is color code: please insert BL for Black and LG for Light Grey on the part numbers while creating order.

\*\* Please make sure you have ordered additional set of 19" rails.

\*\*\* LN-PRF-CMD-xx UD-ZN, define xx as the U height of intended NETbox wall cabinet to be used.

Example Part Nr: LN-PRF-CMD-07UD-ZN.



4 point fixing, compatible with all brand cabinets multivendor. Adjustable brackets at depth. The shelves are manufactured with ventilation slots allowing the convection of heated air inside cabinets. Supply is in RAL 9005 Black and RAL 7035 Light Grey colors. Manufactured from steel providing high. Load capacity 50 kgs.

NETbox Wall Mounting Cabinet - Sliding Shelves		
**Part Number	w:600 x d:450 mm	w:600 x d:600 mm
LN-RAF-HRK-D600-CC	-	✓

\* CC is color code: please insert BL for Black and LG for Light Grey on the part numbers while creating order.

\*\* Please make sure you have ordered additional set of 19" rails.

\*\*\* LN-PRF-CMD-xx UD-ZN, define xx as the U height of intended NETbox wall cabinet to be used.

Example Part Nr: LN-PRF-CMD-07UD-ZN.



# 19" NETbox Wall Mounting Cabinets 83

## Frequent Used Accessories



Ready assembled, plug and play with 0-35°C operating analog thermostat switch and plugs. Each fan has an air flow capacity of 2,3-3 cbm/min. Fan technical data: 18/17 W, 220/240 VAC, 50/60 Hz, 013/0,11 A, 2300/3000 rpm 42 dB noise level, fan life: 50.000 hours.

NETbox Wall Mounting Cabinet - Fan Modules		
* Part Number	w:600 x d:450 mm	w:600 x d:600 mm
LN-FAN-ONF-1FWM-CC	✓	✓
LN-FAN-ONF-2FWM-CC	✓	✓
LN-FAN-THM-1FWM-CC	✓	✓
LN-FAN-THM-2FWM-CC	✓	✓

\*CC is color code: please insert BL for Black and LG for Light Grey on the part numbers while creating order.



Castor set 4 pcs 360 degree turning on y axis, 2 pcs with brakes, 2 pcs w/o brakes, single point fixing, each castor has 100 kgs of load capacity.

Leveling feet is height adjustable M10 threaded 1set 4 pcs.

NETbox Wall Mounting Cabinet - Leveling Feet and Castor Groups		
Part Number	w:600 x d:450 mm	w:600 x d:600 mm
LN-ZMN-PNY-1040-XX	✓	✓
LN-ZMN-TKR-5020-XX	✓	✓



M6 steel caged nut set, screw and nuts included, 8 pcs set, 20 pcs set and 50 pcs set.

NETbox Wall Mounting Cabinet Mounting Hardware		
Part Number	w:600 x d:450 mm	w:600 x d:600 mm
LN-DGR-KFS-M608-XX	✓	✓
LN-DGR-KFS-M620-XX	✓	✓
LN-DGR-KFS-M650-XX	✓	✓



# 19" NETbox Wall Mounting Cabinets 84

## Frequent Used Accessories



Horizontal cable management panels are for the cable management inside the cabinet, with the intend of carrying the cables into the final connection point. 1U 19" with 5 rings. Supply is in RAL 9005 Black and RAL 7035 Light Grey colors.

NETbox Wall Mounting Cabinet - Horizontal Cable Management		
* Part Number	w:600 x d:450 mm	w:600 x d:600 mm
LN-KDG-YKD-1UKN-CC	✓	✓

\* CC is color code: please insert BL for Black and LG for Light Grey on the part numbers while creating order.



PDU 6xDIN49440 socket Schuko power strip, 19" 1U, aluminium housing, 1x16A cct breaker, 4000 Watt, 250V AC, 3x1.5mm<sup>2</sup>, 2,5m cable, DIN 49441 plug, CE approval.

PDU 6xBS1363 UK socket power strip, 19" 1U, aluminium housing, 16A illuminated on/off switched, 3250 Watt, 250V AC, 3x1.5mm<sup>2</sup>, 2,5m cable, 13A BS1363 plug, CE approval

NETbox Wall Mounting Cabinet - Power Distribution Unit		
Part Number	w:600 x d:450 mm	w:600 x d:600 mm
LN-PRZ-SGT-1U6P-SC	✓	✓
LN-PRZ-ONF-1U6P-UK	✓	✓



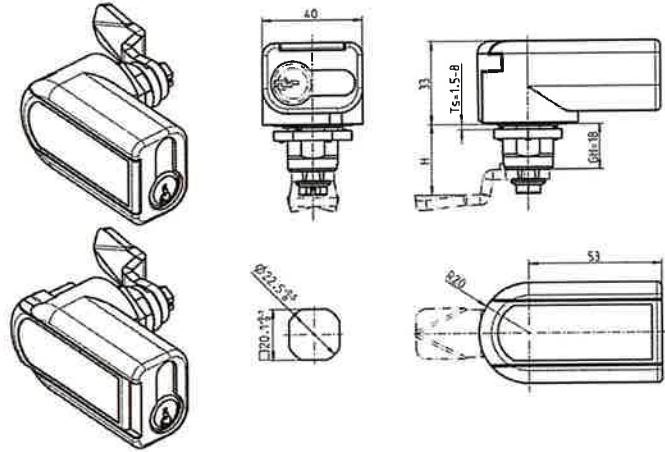


# 19" NETbox Wall Mounting Cabinets 85

## Frequent Used Accessories



LN-TPZ-U837

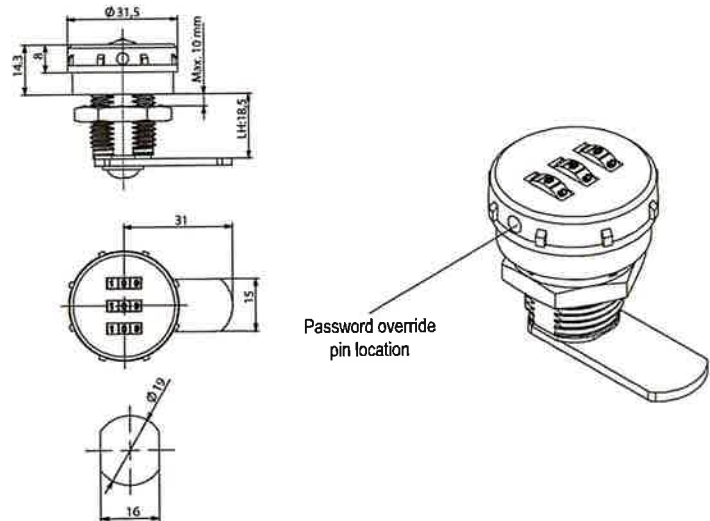


LN-TPZ-U837 is the profile half cylinder lock handle for wall mounting cabinets. If customers are wishing to use different password lock keys with profile half cylinder locking ergonomic handle allows and provides this as an option. Feature of profile half cylinder lock is without the key once closed it locks. DIN 18252 (EN 1303) body Zamak, external housing Polyamide GF Black.

NETbox Wall Mounting Cabinet - Lock Type		
Part Number	w:600 x d:450 mm	w:600 x d:600 mm
LN-TPZ-U837	✓	✓



LN-DGT-4150



LN-DGT-4150 is digit lock with 3 mechanical digits 0 to 9, means 000 to 999, thousand different lock passwords can be assigned. Mechanically override possibility for new password if the existing password forgotten. Made of Zamak Casted Iron chromated, DIN-EN 1774-ZnAl4Cu1.

NETbox Wall Mounting Cabinet - Lock Type		
Part Number	w:600 x d:450 mm	w:600 x d:600 mm
LN-DGT-4150	✓	







## CONTACT DETAILS

### Headquarters

**Address:**

Merve Mah. Gazi Cad. No: 17 **Phone:** +90 216 312 26 53  
Sancaktepe - İstanbul / TURKEY **Fax** : +90 216 312 09 09

### Factory

**Address:**

20. Cadde No: 14 Eskişehir **Phone:** +90 222 236 24 66 pbx  
Organize San. Bölğ. 26110 **Fax** : +90 222 236 13 53  
Eskişehir / TURKEY

[www.lande.com.tr](http://www.lande.com.tr) | [sales@lande.com.tr](mailto:sales@lande.com.tr)





# 19" NETbox Wall Mounting Cabinets





# 19" NETbox Wall Mounting Cabinets 88

## Family

### W=600mm NETbox Series Wall Mounting Cabinets

NETbox Series Networking Enclosures, provides a high quality product at a competitive price offering many features which benefit the installing engineer and end user.

Whilst the product gives maximum performance on cabling and networking infrastructure, in parallel provides a economic solution when compared to its quality, which is based on high quality fully automated production

The NETbox range is available in W600xD450, W600xD600 and an optional rear section D:150 mm to upgrade the single section NETbox to a double section. NETbox Wall Cabinet series is available in 5 heights from 7U through to 20U, each cabinet is supplied as standard with a safety glass front door, screwed steel rear panel and lockable lift off side panels.

The optional rear section 150 mm extension converts the NETbox from a single section to a double section wall cabinet, allowing the cabinet to swing out and give access to the rear of the equipment for testing and maintenance.

The wide product height portfolio meets the majority of U requirements for infrastructure requirements.

NETbox series has a professional aesthetic look with safety glass front door with left/right frames an option of color RAL 9005 Black and RAL 7035 Light Grey, with fine wrinkle soft touch paint. providing a professional appearance for the office environment. The NETbox has a ABS Anthracite Grey Decorative header trim with art design on PVC, for projects or ongoing business there is potential to have your corporate colours or Company Logo on the trim.

Fully stocked product portfolio, being delivered a single piece assembled product, as shipping configuration 19" mounting profiles one set: 2 pieces 19" adjustable equipment mounting rails included.



# 19" NETbox Wall Mounting Cabinets 89

## Family

### Construction Details:

Main profile, framework, top/bottom cases, ABS fan housing;  
Multi folded automated bending technology corner profile  
system, which results in a heavy duty structure with high load  
capacity of: 80 kgs wall mounted.

Monoblock multi folded top and bottom panels provides a  
strong construction, for fixing to corner uprights. Top cover has  
a ventilated ABS fan cover.

The fan module can be installed from roof or alternatively from  
internally within the cabinet.

The advantage of this system is, when the fan unit needs  
maintenance or replacement the fan module unit can be installed  
from the roof without interference with installed. Equipment fan  
module integration housing replacement is toolless. Where  
the fan module to be inserted to the ABS fan module housing  
without any tools.

Top cover has integrated cable entry point with rubber edged  
sliding mechanism w:145 mm x d:70 mm allows cabling  
insertion. The rubber edged mechanism works between 0 to  
50 mm slide out. After inserting the cables, the rubber edged  
mechanism holds and fixes the cables in parallel protecting the  
cabinet from dust entry.

Top cover, has ventilation slots at sides which provides passive  
air ventilation via convection. The ABS fan housing cover also  
provides passive ventilation.





# 19" NETbox Wall Mounting Cabinets 90

## Family

### Construction Details:

Front door is integrated with decorative 2,5 mm thick aluminium extruded frames, 4,0 mm thick, full height, smoked, safety, antistatic, glass with single point barrel lock.

Front door opening direction is set right to left, but is reversible to left to right on site if required. It is easy to remove the front door via a spring loaded hinge pin, which allows full access when installing equipment or cabling.

Alternative doors are available for customer selection.  
\*\*\* Please see door options at the end of each product size.

An option for decorative colored trims. For color coordination with blue, green, red, grey and dark grey.

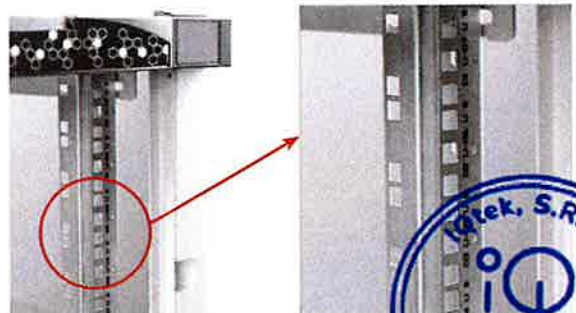
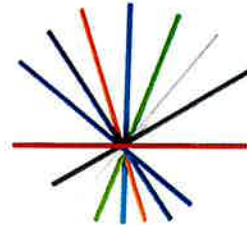
Lockable side panels with keyed barrel style lock, Multi-folded bending technology with 8 fold bending provides the strength and rigidity. Easy removal of side panels to help installation.

Rear panel is used for one engineer install, rear panel is fixed to the wall then the cabinet lifted into position, then are mechanically screwed to main.

Bottom case and rear panel integrated with PVC gland plate. Gland plate and rubber edged sliding mechanism could be replaced on site.

19" rails of Lande NETbox Series Wall Cabinet has automated silk-screen U numbering, from top to bottom or bottom to top to save time when installing equipment. 19" rails are 4 fold bending for strength 1,5 mm thickness provides the high load capacities. The 19" rails are made of steel with 8-12 micron zinc plating for corrosion resistance. 19" rails are adjustable in depth for easy adjustment just ease the screws and slide them in the channels on the top/bottom chassis depth bends.

With removable door and side panels the NETbox Series allows 3 way access to your enclosure and equipment, providing easy access to equipment for installation and maintenance needs.





# 19" NETbox Wall Mounting Cabinets 91

## Family

### Additional features:

NETbox Wall Cabinets has an ABS decorative header unit, there is an option to have a Digital Thermometer display with 1 meter cable probe, integrated with 2 lithium battery with 2 year life. It provides an external display highlighting the temperature within the cabinet.

Also an option to have sticky colour changing thermometer, range 20°C to 40°C.

NETbox Wall Cabinets has a replaceable decorative ABS header trim, standard colour Anthracite Grey, for projects or ongoing business there is potential to have your corporate colours or Company Logo.

NETbox Wall Cabinets have screwed rear panel. The panel can be used as wall fixing pattern on wall. This feature provides cost efficiency on site allowing one engineer to fit a heavy enclosure to the wall.

First the rear panel to be placed on wall for marking purposes, then the rear panel is fixed onto the wall without the main cabinet.

Finally the cabinet is hung over the fixed panel and secured to the rear panel by internal screws within the cabinet.

NETbox wall cabinets offers one more advantage for site application, the internal active and passive components can be assembled into the cabinet in the workshop. Once complete the cabinet can be fixed to the back-panel. This is a big advantage for technicians when the wall cabinet is to be assembled to high placement especially in a factory or warehouse location.



# 19" NETbox Wall Mounting Cabinets 92

## Family

### Additional features:

The Lande NETbox Wall Cabinet range has the option to fit castors or adjustable levelling feet. This feature provides a possibility of using wall cabinets as free standing cabinets, ideal for under-desk applications.



Please see detailed description in accessory section.

Part numbers to order:

\*\*\* LN-ZMN-TKR-5020-XX for Caster Set  
LN-ZMN-PNY-1040-XX for Leveling Feet Set

If using the Lande NETbox wall cabinets as a free standing cabinet and access is required at the rear there is an option to request a hinged rear door option instead of screwed panel option.

Lande NETbox wall cabinets are delivered with 1 set: (2pcs) 19" vertical mounting rails. If a 4 point fixing shelf or any other 4 point fixing equipment to be installed, an additional set of 19" vertical mounting rails needs to be ordered. With this application it is possible to locate some deeper networking devices as well some heavy equipment like UPS's etc.

Part numbers to order:

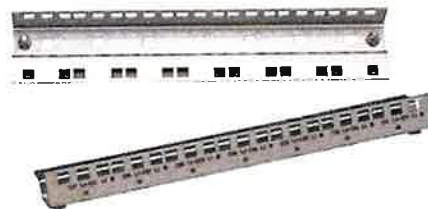
\*\*\*LN-PRF-CMD-XX UD-ZN

Define xx as the U height of intended NETbox Wall Cabinet to be used

Example Part Nr: LN-PRF-CMD-07UD-ZN

Please see detailed description in accessory section.

Lande NETbox wall cabinets are available both in RAL 7035 Light Grey color and RAL 9005 Black color. Please coordinate with sales department of Lande for any other color requirements especially for projects.



# 19" NETbox Wall Mounting Cabinets

Width: 600 mm **93**  
Depth: 450 mm

**Load Capacity: 80 kgs.**

**U Height: 7U, 9U, 12U, 16U and 20U**

**Standards and Compliances:**



**ISO 9001**  
Quality Management System

EN 61587-1  
Mechanical Structures for  
Electronic Equipment

EN IEC 297-1, 19" Mounting  
EN IEC 297-2 Overall Cabinet  
Dimensions

EN/IEC 60529- IP20 Ingress Protection  
performance

EN/IEC 62262- IK07 Mechanical  
Impact Resistance

EIA/ ECA-310 (D/E) 19" 482,6 mm  
and U 44,45 mm Height Sizing



**CE conform to**  
EN 60950-1  
Information Technology  
Equipment, Safety,  
Part-1: General Requirement

EN IEC 62368-1 Audio/Video,  
Information and Communication  
Technology Equipment  
Part 1: Safety requirements

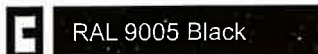
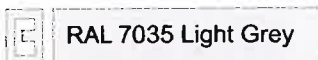


**UL listed to**  
UL 2416, Outline of Investigation for  
Audio/Video, Information and  
Communication Technology Equipment  
Cabinet, Enclosure and Rack  
Systems; UL 60950-1 and CSA  
C22.2 NO. 60950-1-07, Information  
Technology Equipment Safety  
Part 1: General Requirements



**Environment Friendly;**  
ISO 14001 Environmental  
Management System  
RoHS compliancy  
%100 Recyclable Material

**Standard Colors:**



All Lande NETbox Wall cabinets are delivered as a single piece pre-assembled enclosure, with standard factory settings.

The Lande NETbox has an option of doors to suit customer specific applications.

\*\*\* Please see door options in page 10





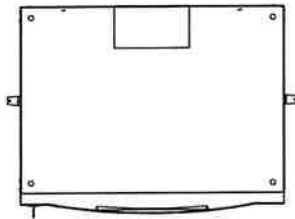


# 19" NETbox Wall Mounting Cabinets

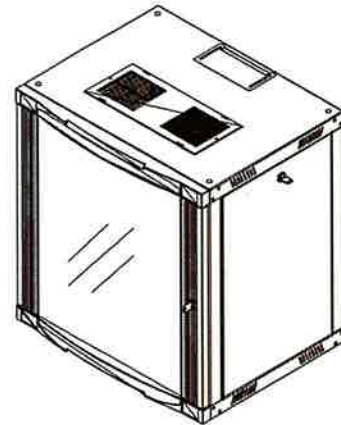
Width: 600 mm  
Depth: 450 mm

94

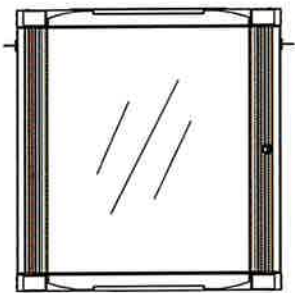
## Construction Drawings



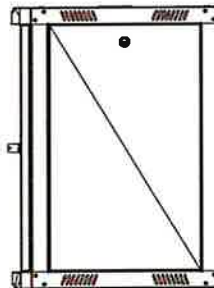
Bottom view



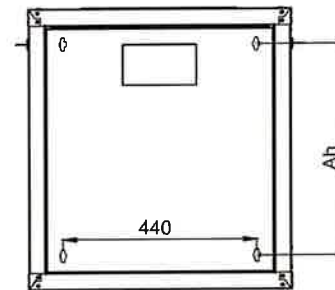
Isometric view



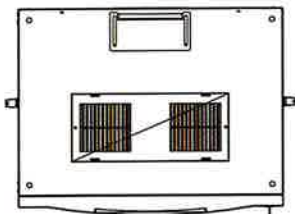
Front view



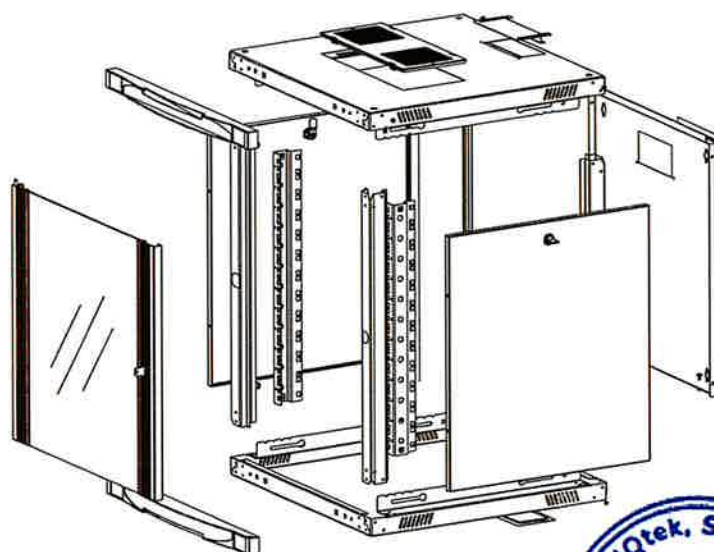
Side view



Rear view



Top view



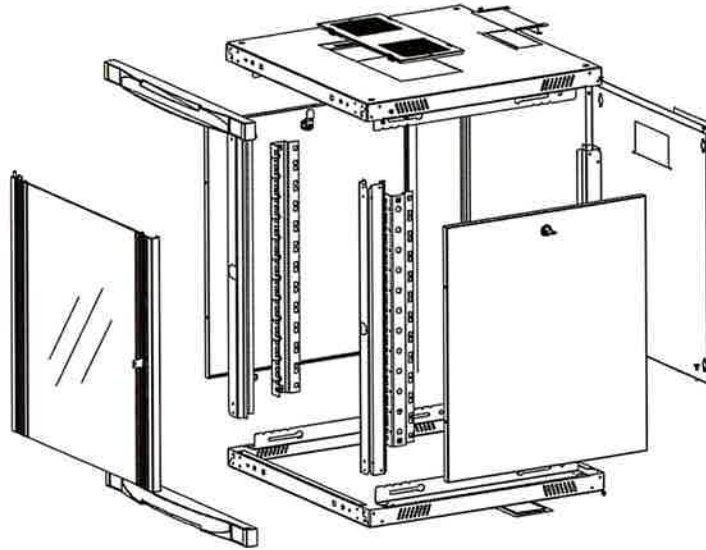
Exploded view



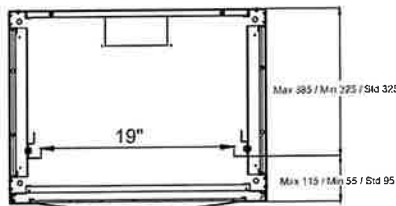
# 19" NETbox Wall Mounting Cabinets

Width: 600 mm  
Depth: 450 mm **95**

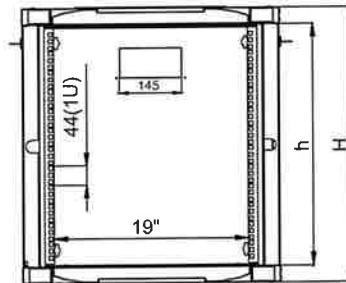
## Construction Drawings



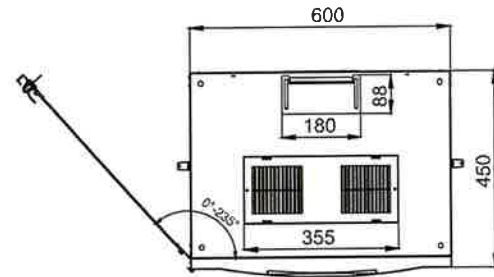
Exploded view



Front door opening angle



Max. / Std. / Min. Equipment mounting distance



Dimensions in width and height

### 19" NETbox Series Wall Mounting Cabinets W=600 mm D=450 mm

***Product Number	Product Description	Size WxDxH mm	h Size in U	h in mm	*H mm, overall without feet and/or castor	Ah Wall Mounting h mm	Width Overall mm	Width Rail to Rail	Depth Overall mm	**Depth Shipping Conf. Rail to Rear Panel mm	QTY IN PACKAGE	PACKING DIMENSIONS WxDxH mm	Standard NET Weight of Product kgs	Gross Weight of Product kgs	QTY IN PALLET	PALLET DIMENSIONS WxDxH mm	Pallet Weight kgs
LN-WM07U6045-CC-111	7U 19" Wall Mounting Cabinet W=600 mm D=450 mm	600x450x423	7U	311	418	260	600	19"	450	345	1	620x470x450	13	14	20	1100x1300x2400	302
LN-WM09U6045-CC-111	9U 19" Wall Mounting Cabinet W=600 mm D=450 mm	600x450x512	9U	400	505	349	600	19"	450	345	1	620x470x540	16	17	16	1100x1300x2280	294
LN-WM12U6045-CC-111	12U 19" Wall Mounting Cabinet W=600 mm D=450 mm	600x450x646	12U	533	640	482	600	19"	450	345	1	620x470x670	21	22	12	1100x1300x2150	286
LN-WM16U6045-CC-111	16U 19" Wall Mounting Cabinet W=600 mm D=450 mm	600x450x824	16U	711	818	660	600	19"	450	345	1	620x470x850	24	26	10	1100x1300x2150	282
LN-WM20U6045-CC-111	20U 19" Wall Mounting Cabinet W=600 mm D=450 mm	600x450x1001	20U	889	996	838	600	19"	450	345	1	620x470x1030	30	32	8	1100x1300x2150	280

\* Please add 30 mm to H mm once used with leveling feet, add 60 mm to H mm once used with castor set.

\*\* See min and max adjustable depth variations on drawings.

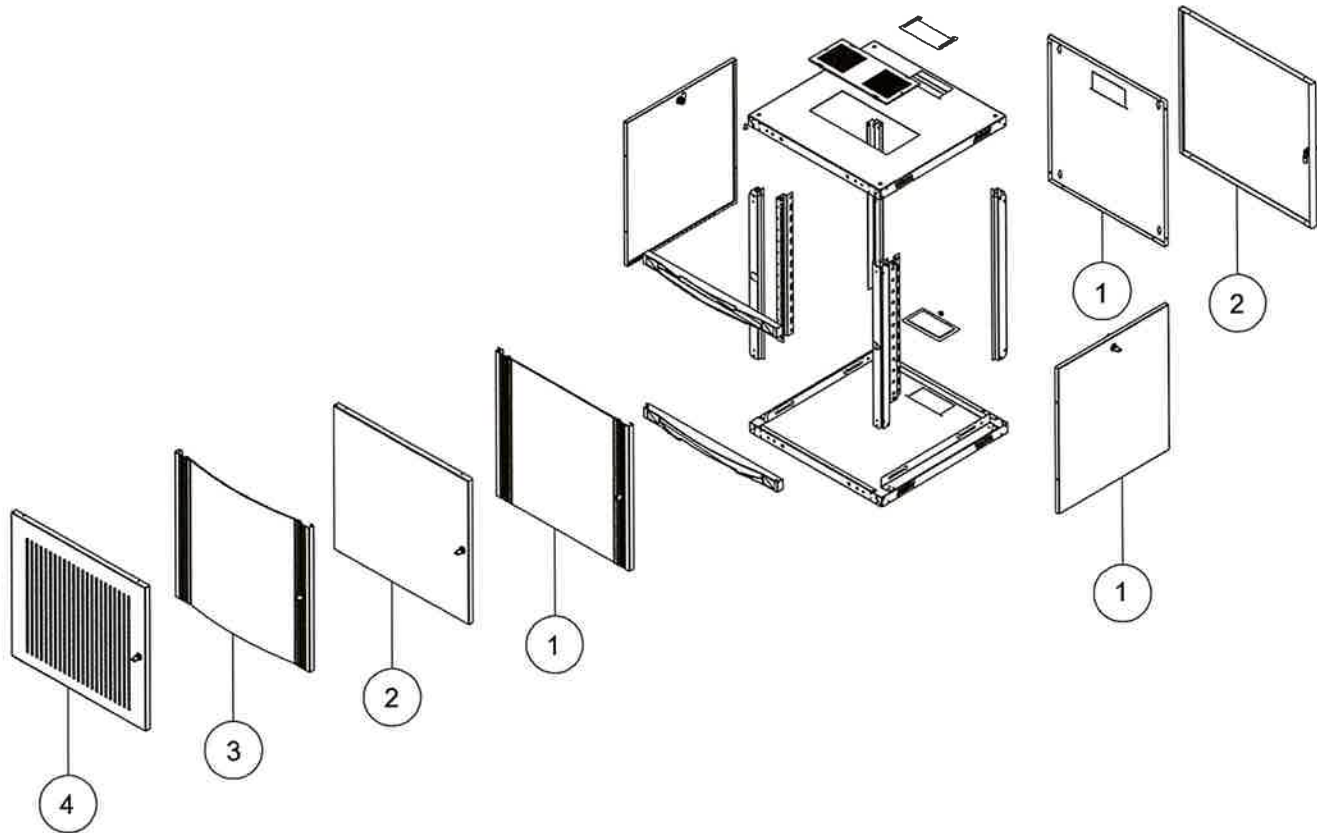
\*\*\* CC= LG for Light Grey RAL 7035 & BL for Black RAL 9005 for customers to define while ordering, for "111" selection please see the door options.



# 19" NETbox Wall Mounting Cabinets

Width: 600 mm **96**  
Depth: 450 mm

## Door Options



NETbox Wall Mounting Cabinet W=600 mm D=450 mm All Heights FRONT DOOR Options	NETbox Wall Mounting Cabinet W=600 mm D=450 mm All Heights REAR DOOR Options	NETbox Wall Mounting Cabinet W=600 mm D=450 mm All Heights SIDE PANEL Options
<ol style="list-style-type: none"> <li>1 Single opening, flat shape, side framed glass front door, single point barrel lock</li> <li>2 Single opening, flat shape, complete solid metal front door, single point barrel lock</li> <li>3 Single opening, curved shape, side framed glass front door, single point barrel lock (Applicable on all U heights, please contact your sales representatives as it has MOQ.)</li> <li>4 Single opening, flat shape, %63 perforated metal front door, single point barrel lock</li> </ol>	<ol style="list-style-type: none"> <li>1 Factory configured screwed and mechanically locked rear panel included</li> <li>2 Hinged single point lock rear door</li> </ol>	<ol style="list-style-type: none"> <li>1 Both sides equipped with standard side panels</li> <li>0 No side panels on cabinet</li> </ol>
<b>LN-AA - XXU - WW - DD - CC</b>		<b>0 0 0</b>
<p>LN: Corporate codification beginning letters mentioning Lande in Short Format as LN</p> <p>AA: Family group of enclosure; WM for wall mounting cabinets</p> <p>XX: Numeric character defining the height of enclosures, depending on model differences between 07 to 20 to be selected from price list, website or catalogue</p> <p>U: U height alphanumeric notation (non editable- fixed character)</p> <p>WW: The first 2 digits of the width info, 60 for W=600 mm cabinets</p> <p>DD: The first 2 digits of the depth info, 45 for D=450 mm cabinets</p> <p>CC: Color code, LG for Light Grey RAL 7035, BL for Black RAL 9005</p>		<p>2-3-4 are options, unless defined, configuration will be standard glass front door with option number 1.</p> <p>Two options, unless defined, screwed mechanically locked rear panel which is option number 1 will be in shipping configuration.</p> <p>1 both sides equipped with standard side panels 0 no side panels on cabinet.</p>





# 19" NETbox Wall Mounting Cabinets

Width: 600 mm **97**  
Depth: 600 mm

**Load Capacity: 80 kgs.**

**U Height: 7U, 9U, 12U, 16U and 20U**

**Standards and Compliances:**



**ISO 9001**  
Quality Management System

EN 61587-1  
Mechanical Structures for  
Electronic Equipment

EN IEC 297-1, 19" Mounting  
EN IEC 297-2 Overall Cabinet  
Dimensions

EN/IEC 60529- IP20 Ingress Protection  
performance

EN/IEC 62262- IK07 Mechanical  
Impact Resistance

EIA/ ECA-310 (D/E) 19" 482,6 mm  
and U 44,45 mm Height Sizing



**CE conform to**  
EN 60950-1  
Information Technology  
Equipment, Safety,  
Part-1: General Requirement

EN IEC 62368-1 Audio/Video,  
Information and Communication  
Technology Equipment  
Part 1: Safety requirements

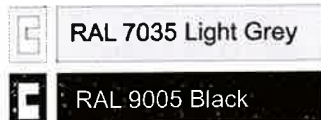


**UL listed to**  
UL 2416, Outline of Investigation for  
Audio/Video, Information and  
Communication Technology Equipment  
Cabinet, Enclosure and Rack  
Systems; UL 60950-1 and CSA  
C22.2 NO. 60950-1-07, Information  
Technology Equipment Safety  
Part 1: General Requirements



**Environment Friendly;**  
ISO 14001 Environmental  
Management System  
RoHS compliancy  
%100 Recyclable Material

**Standard Colors:**



NETbox Series Wall Mounting Networking Enclosures, with 19" w:600 mm and d:600 mm physical sizes, with max internal usable depth and 5 different height.

All Lande NETbox Wall cabinets are being delivered as a single piece pre-assembled enclosure, with standard factory settings.

The Lande NETbox has an option of doors to suit customer specific applications.

\*\*\* Please see door options in page 14





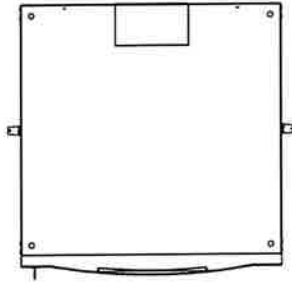


# 19" NETbox Wall Mounting Cabinets

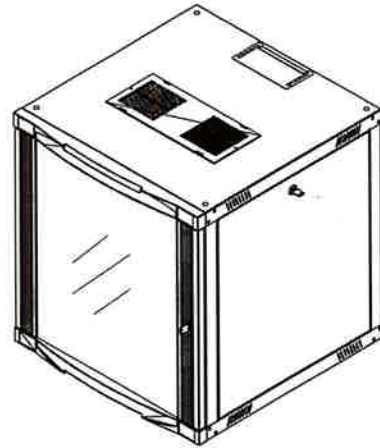
Width: 600 mm  
Depth: 600 mm

98

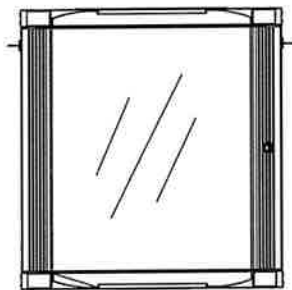
## Construction Drawings



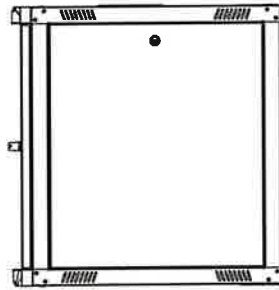
Bottom view



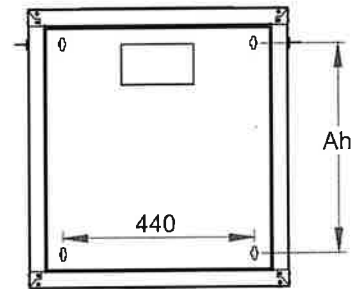
Isometric view



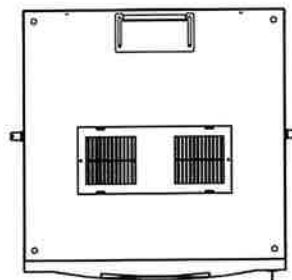
Front view



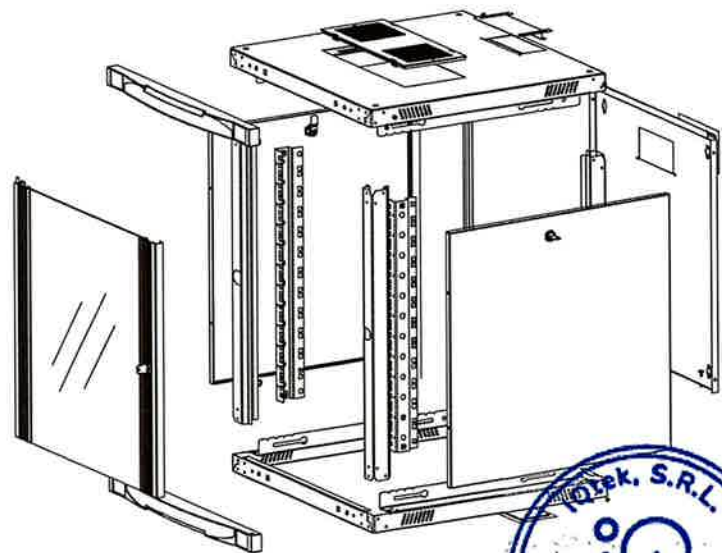
Side view



Rear view



Top view



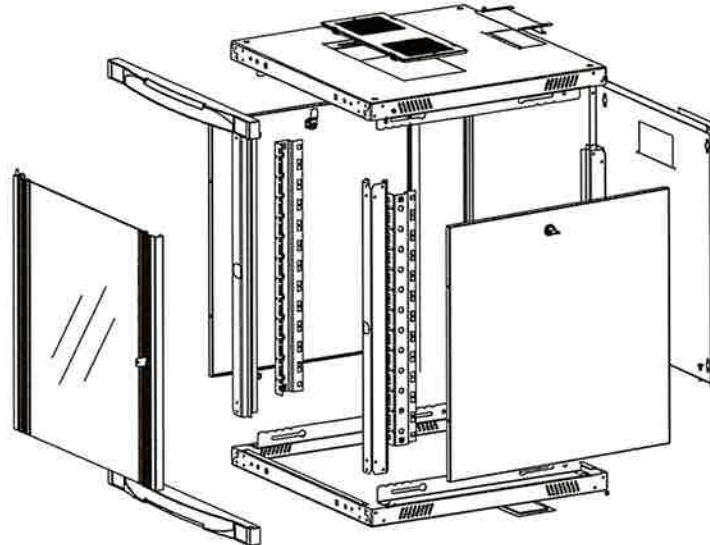
Exploded view



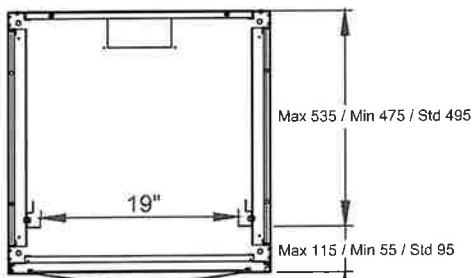
# 19" NETbox Wall Mounting Cabinets

Width: 600 mm  
Depth: 600 mm

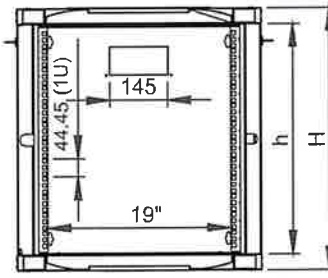
## Construction Drawings



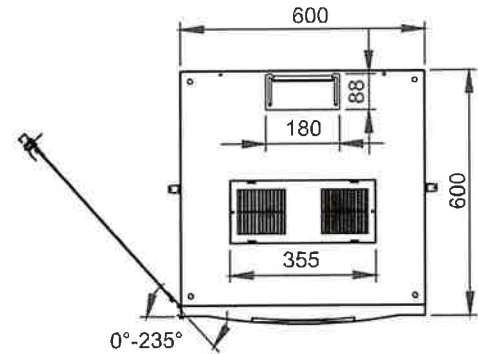
Exploded view



Front door opening angle



Max. / Std. / Min.  
Equipment mounting distance



Dimensions in width and height

### 19" NETbox Series Wall Mounting Cabinets W=600 mm D=600 mm

***Product Number	Product Description	Size WxDxH mm	h Size in U	h in mm	**H mm, overall without feet and/or castor	Ah Wall Mounting h mm	Width Overall mm	Width Rail to Rail	Depth Overall mm	**Depth Shipping Conf. Rail to Rear Panel mm	QTY IN PACKAGE	PACKING DIMENSIONS WxDxH mm	Standard NET Weight of Product kgs	Gross Weight of Product kgs	QTY IN PALLET	PALLET DIMENSIONS WxDxH mm	Pallet Weight kgs
LN-WM07U6060-CC-111	7U 19" Wall Mounting Cabinet W=600 mm D=600 mm	600x600x423	7U	311	418	260	600	19"	600	495	1	620x620x450	18	19	20	1300x1300x2400	406
LN-WM09U6060-CC-111	9U 19" Wall Mounting Cabinet W=600 mm D=600 mm	600x600x512	9U	400	505	349	600	19"	600	495	1	620x620x540	20	21	16	1300x1300x2280	362
LN-WM12U6060-CC-111	12U 19" Wall Mounting Cabinet W=600 mm D=600 mm	600x600x646	12U	533	640	482	600	19"	600	495	1	620x620x670	24	25,3	12	1300x1300x2150	329
LN-WM16U6060-CC-111	16U 19" Wall Mounting Cabinet W=600 mm D=600 mm	600x600x824	16U	711	818	660	600	19"	600	495	1	620x620x850	28	29,5	10	1300x1300x2050	221
LN-WM20U6060-CC-111	20U 19" Wall Mounting Cabinet W=600 mm D=600 mm	600x600x1001	20U	889	996	838	600	19"	600	495	1	620x620x1030	32	33,7	8	1300x1300x2250	235

\* Please add 30 mm to H mm once used with leveling feet, add 60 mm to H mm once used with castor set.

\*\* See min and max adjustable depth variations on drawings.

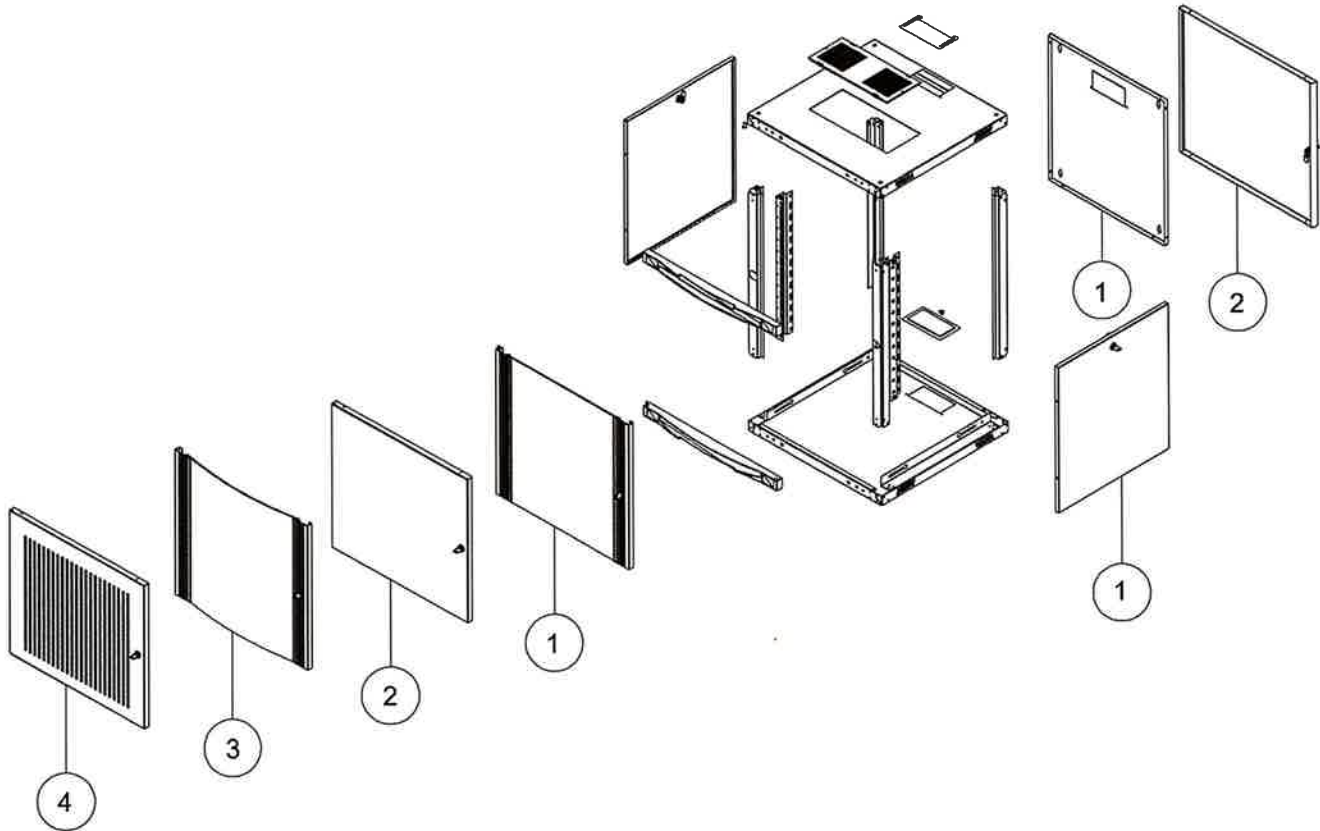
\*\*\* CC= LG for Light Grey RAL 7035 & BL for Black RAL 9005 for customers to define while ordering, for \*111\* selection please see the door options.



# 19" NETbox Wall Mounting Cabinets

Width: 600 mm  
Depth: 600 mm

## Door Options



NETbox Wall Mounting Cabinet W=600 mm D=600 mm All Heights FRONT DOOR Options	NETbox Wall Mounting Cabinet W=600 mm D=600 mm All Heights REAR DOOR Options	NETbox Wall Mounting Cabinet W=600 mm D=600 mm All Heights SIDE PANEL Options
<p>1 Single opening, flat shape, side framed glass front door, single point barrel lock</p> <p>2 Single opening, flat shape, complete solid metal front door, single point barrel lock</p> <p>3 Single opening, curved shape, side framed glass front door, single point barrel lock (Applicable on all U heights, please contact your sales representatives as it has MOQ.)</p> <p>4 Single opening, flat shape, %63 perforated metal front door, single point barrel lock</p>	<p>1 Factory configured screwed and mechanically locked rear panel included</p> <p>2 Hinged single point lock rear door</p>	<p>1 Both sides equipped with standard side panels</p> <p>0 No side panels on cabinet</p>
<b>LN-AA - XXU - WW - DD - CC</b>		<b>0 0 0</b>
<p><b>LN:</b> Corporate codification beginning letters mentioning Lande in Short Format as LN</p> <p><b>AA:</b> Family group of enclosure; WM for wall mounting cabinets</p> <p><b>XX:</b> Numeric character defining the height of enclosures, depending on model differences between 07 to 20 to be selected from price list, website or catalogue</p> <p><b>U:</b> U height alfa-numeric notation (non editable- fixed character)</p> <p><b>WW:</b> The first 2 digits of the width info, 60 for W=600 mm cabinets</p> <p><b>DD:</b> The first 2 digits of the depth info, 60 for D=600 mm cabinets</p> <p><b>CC:</b> Color code, LG for Light Grey RAL 7035, BL for Black RAL 9005</p>		<p>2-3-4 are options, unless defined, configuration will be standard glass front door with option number 1.</p> <p>Two options, unless defined, screwed mechanically locked rear panel which is option number 1 will be in shipping configuration.</p> <p>1 both sides equipped with standard side panels 0 no side panels on cabinet.</p>





# 19" NETbox Wall Mounting Cabinets

Width: 600 mm  
Depth: 600 mm

Offered as Free Standing Purpose CASE STUDY

**Load Capacity: 80 kgs.**

**U Height: 22U and 26U**

Standards and Compliances:



**ISO 9001  
Quality Management System**

EN 61587-1  
Mechanical Structures for  
Electronic Equipment

EN IEC 297-1, 19" Mounting  
EN IEC 297-2 Overall Cabinet  
Dimensions

EN/IEC 60529- IP20 Ingress Protection  
performance

EN/IEC 62262- IK07 Mechanical  
Impact Resistance

EIA/ ECA-310 (D/E) 19" 482,6 mm  
and U 44,45 mm Height Sizing



**CE conform to**  
EN 60950-1  
Information Technology  
Equipment, Safety,  
Part-1: General Requirement

EN IEC 62368-1 Audio/Video,  
Information and Communication  
Technology Equipment  
Part 1: Safety requirements



**UL listed to**  
UL 2416, Outline of Investigation for  
Audio/Video, Information and  
Communication Technology Equipment  
Cabinet, Enclosure and Rack  
Systems; UL 60950-1 and CSA  
C22.2 NO. 60950-1-07, Information  
Technology Equipment Safety  
Part 1: General Requirements



**Environment Friendly;**  
ISO 14001 Environmental  
Management System  
RoHS compliancy  
%100 Recyclable Material

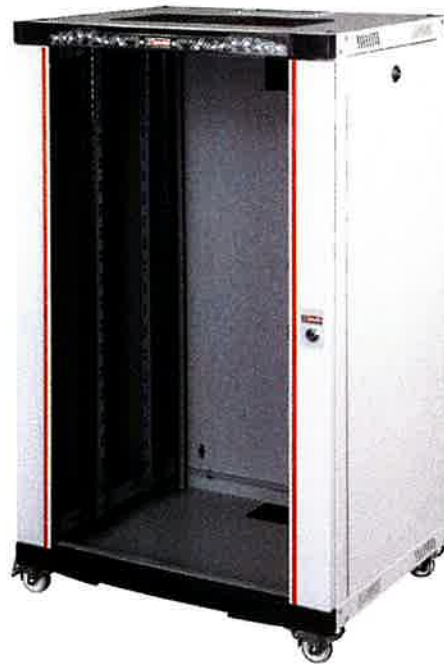
Standard Colors:



RAL 7035 Light Grey



RAL 9005 Black



LN-WM22U6060-LG-111



LN-WM22U6060-LG-121

For project case applications, Lande NETbox Wall Cabinets are being produced at 22U and 26U 600x600 mm sizes. These product sizes are not kept in stock. With hinged rear door application, as well as caster group and leveling feet set added configuration should perform 80 kg on wall with a wall support kit and up to 300 kgs on the floor.

For case study drawings please see page 18.  
Please see door options on page 19.



# 19" NETbox

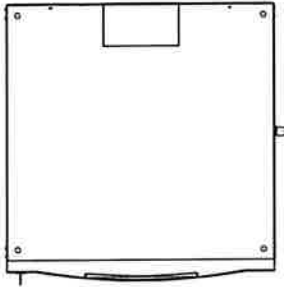
Width: 600 mm  
Depth: 600 mm

102

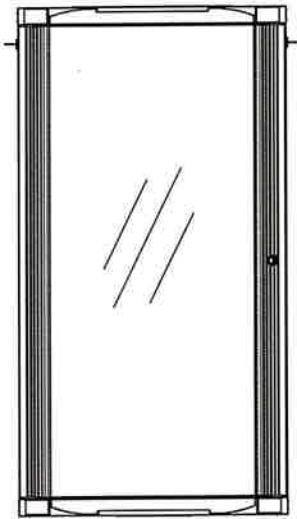
## Wall Mounting Cabinets

Offered as Free Standing Purpose CASE STUDY

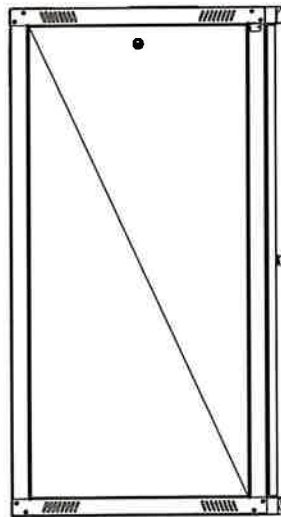
### Construction Drawings



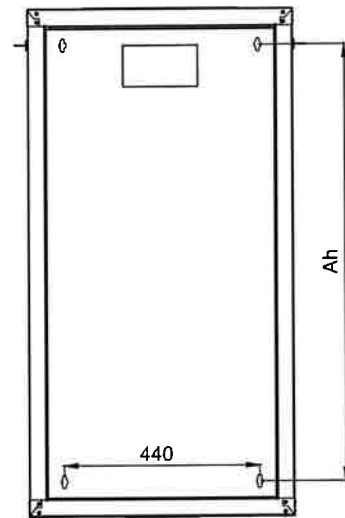
Bottom view



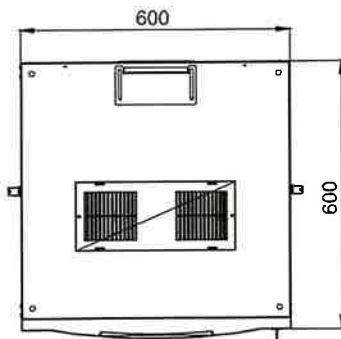
Front view



Side view



Rear view



Top view



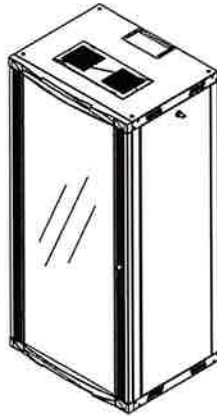
# 19" NETbox

Width: 600 mm  
Depth: 600 mm

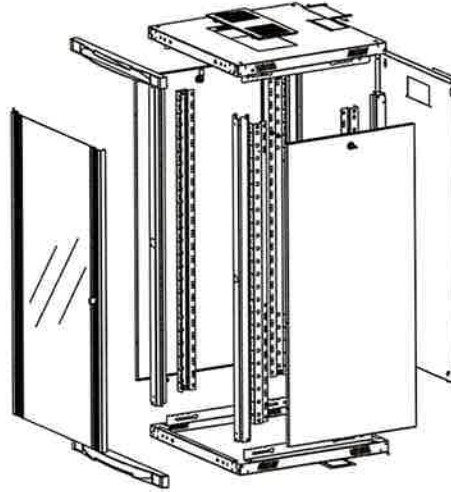
## Wall Mounting Cabinets

Offered as Free Standing Purpose CASE STUDY

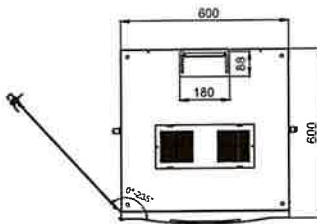
### Construction Drawings



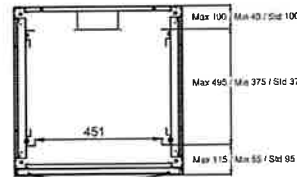
Isometric view



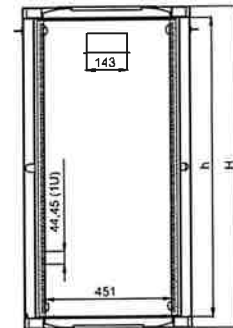
Exploded view



Front door opening angle



Max / Min / Std Equipment mounting distance



Dimensions in width and height

### 19" NETbox Series Wall Mounting Cabinets W=600 mm D=600 mm / 22U & 26U

***Product Number	Product Description	Size WxDxH mm	h Size in U	h in mm	*H mm, overall without feet and/or castor	Alt. Wall Mounting h mm	Width Overall mm	Width Rail to Rear Door	Depth Overall mm	**Depth Shipping Conf. Rail to Rail mm	QTY IN PACKAGE	PACKING DIMENSIONS WxDxH mm	Standard NET Weight of Product kgs	Gross Weight of Product kgs	QTY IN PALLETTE	PALLETTE DIMENSIONS WxDxH mm	Pallette Weight kgs
LN-WM22U6060-CC-111	22U 19" Wall Mounting Cabinet W=600 mm D=600 mm with rear panel, 4 pcs equipment mounting rails	600x600x1090	22U	1004	1085	927	600	19"	600	375	1	620x620x1120	34,5	36	8	1300x1300x2380	314
LN-WM26U6060-CC-111	26U 19" Wall Mounting Cabinet W=600 mm D=600 mm with rear panel, 4 pcs equipment mounting rails	600x600x1268	26U	1181	1263	1105	600	19"	600	375	1	620x620x1300	39,5	41	6	1300x1300x2050	275
LN-WM22U6060-CC-121	22U 19" Wall Mounting Cabinet W=600 mm D=600 mm with hinged and barrel locking rear door, 4 pcs equipment mounting rails	600x600x1090	22U	1004	1085	-	600	19"	600	375	1	620x620x1120	36	37	8	1300x1300x2380	310
LN-WM26U6060-CC-121	26U 19" Wall Mounting Cabinet W=600 mm D=600 mm with hinged and barrel locking rear door, 4 pcs equipment mounting rails	600x600x1268	26U	1181	1263	-	600	19"	600	375	1	620x620x1300	40	42	6	1300x1300x2050	269
LN-RAF-RAY-WM-CC	Wall support kit for 22U and 26U size W=600 mm D=600 mm, recommended to use on wall 1 set 2 pcs	250x250x50	-	-	-	-	-	-	-	-	1 set	260x260x110	1,8	2	-	-	-

\* Please add 30 mm to H mm once used with leveling feet, add 60 mm to H mm once used with castor set.

\*\* See min and max adjustable depth variations on drawings.

\*\*\* CC= LG for Light Grey RAL 7035 & BL for Black RAL 9005 for customers to define while ordering, for \*111\* selection please see the door options.

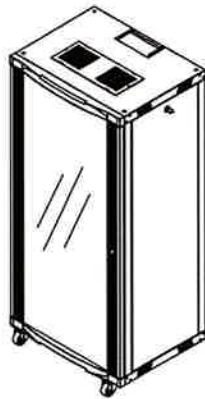


# 19" NETbox

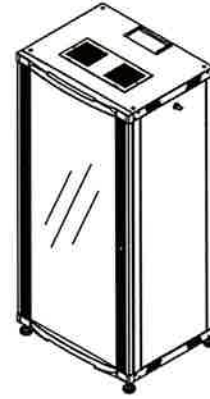
## Wall Mounting Cabinets

Offered as Free Standing Purpose CASE STUDY

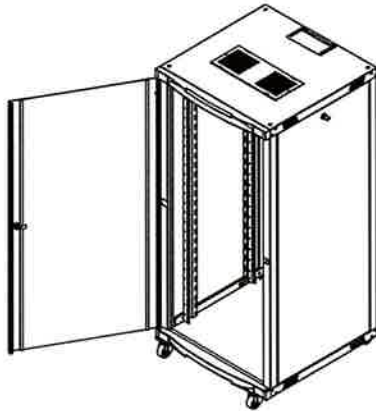
Width: 600 mm  
Depth: 600 mm



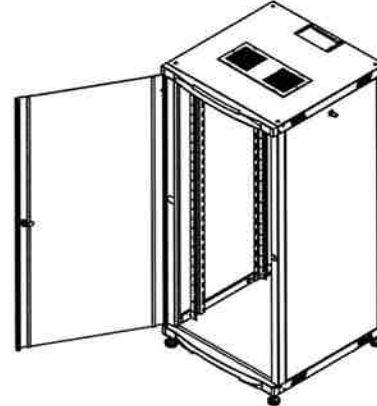
Isometric view with leveling feet



Isometric view with caster set



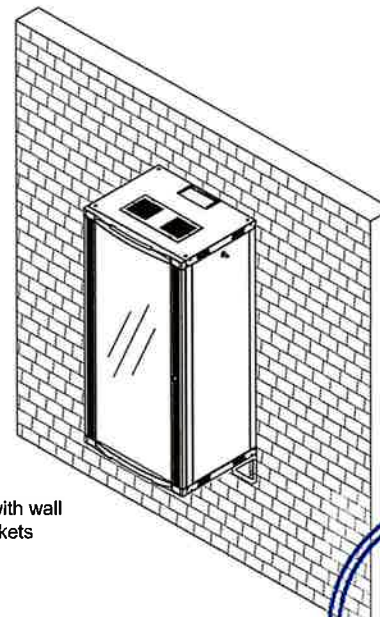
Isometric rear view with leveling feet with hinged rear door



Isometric rear view with castor set with hinged rear door



Isometric view with wall support brackets





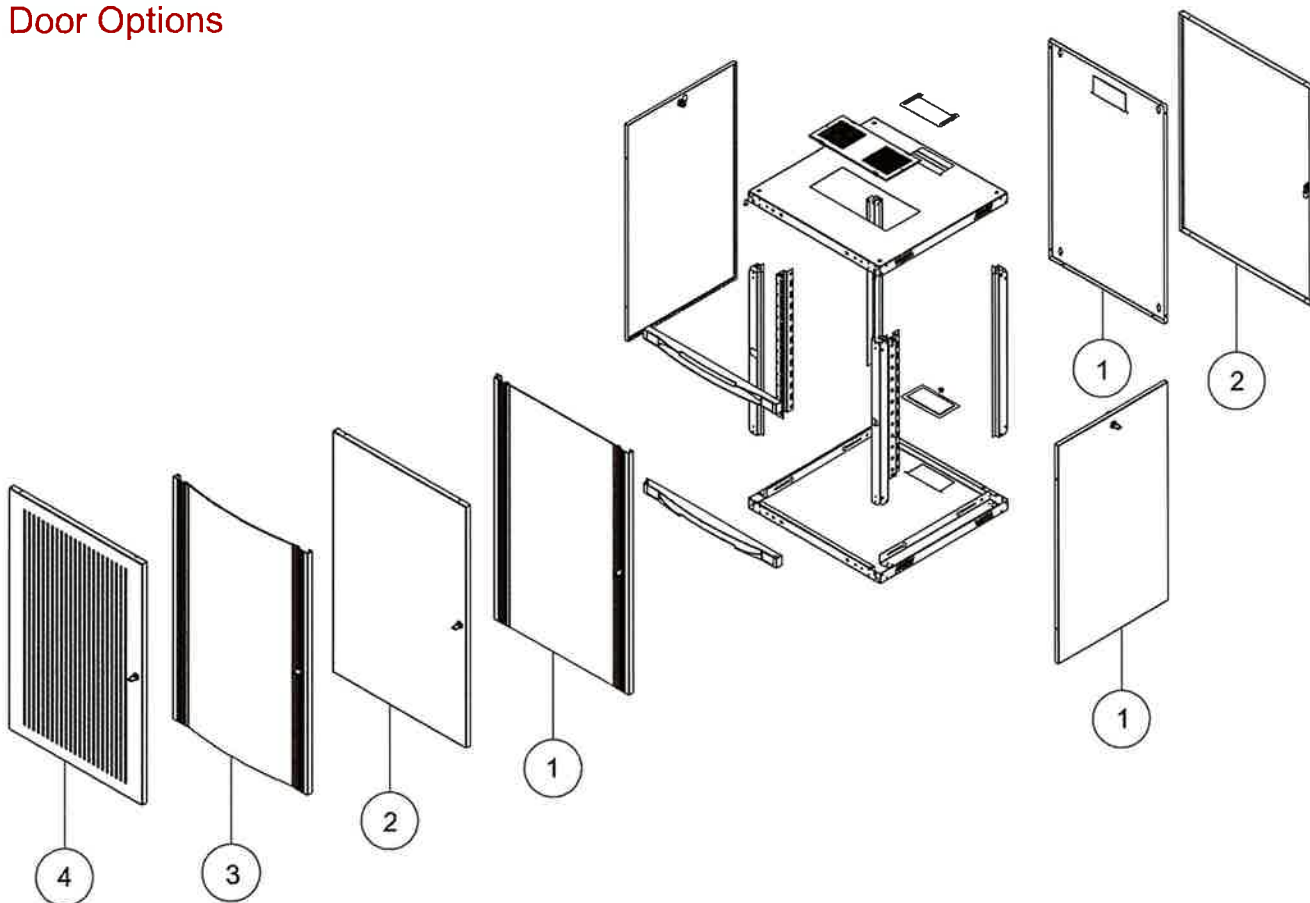
# 19" NETbox

## Wall Mounting Cabinets

Offered as Free Standing Purpose CASE STUDY

Width: 600 mm  
Depth: 600 mm

### Door Options



NETbox Wall Mounting Cabinets Offered as Free Standing Purpose CASE STUDY W=600 mm D=600 mm All Heights FRONT DOOR Options	NETbox Wall Mounting Cabinets Offered as Free Standing Purpose CASE STUDY W=600 mm D=600 mm All Heights REAR DOOR Options	NETbox Wall Mounting Cabinets Offered as Free Standing Purpose CASE STUDY W=600 mm D=600 mm All Heights SIDE PANEL Options
<ul style="list-style-type: none"> <li>1 Single opening, flat shape, side framed glass front door, single point barrel lock</li> <li>2 Single opening, flat shape, complete solid metal front door, single point barrel lock</li> <li>3 Single opening, curved shape, side framed glass front door, single point barrel lock (Applicable on all U heights, please contact your sales representatives as it has MOQ.)</li> <li>4 Single opening, flat shape, %63 perforated metal front door, single point barrel lock</li> </ul>	<ul style="list-style-type: none"> <li>1 Factory configured screwed and mechanically locked rear panel included</li> <li>2 Hinged single point lock rear door</li> </ul>	<ul style="list-style-type: none"> <li>1 Both sides equipped with standard side panels</li> <li>0 No side panels on cabinet</li> </ul>
<b>LN-AA - XXU - WW - DD - CC</b>		<b>0 0 0</b>
<p>LN: Corporate codification beginning letters mentioning Lande in Short Format as LN</p> <p>AA: Family group of enclosure; WM for networking enclosures range</p> <p>XX: Numeric character defining the height of enclosures, depending on model differences between 07 to 20 to be selected from price list, website or catalogue</p> <p>U: U height alphanumeric notation, concrete (non editable- fixed character)</p> <p>WW: The first 2 digits of the width info, 60 for W=600 mm cabinets</p> <p>DD: The first 2 digits of the depth info, 60 for D=600 mm cabinets</p> <p>CC: Color code, LG for Light Grey RAL 7035, BL for Black RAL 9005</p>		<p>2-3-4 are options, unless defined, configuration will be standard glass front door with option number 1.</p> <p>Two options, unless defined, screwed mechanically locked rear panel which is option number 1 will be in shipping configuration.</p> <p>1 both sides equipped with standard side panels 0 no side panels on cabinet.</p>



# 19" NETbox Double Section for Wall Mounting Cabinets

106

## Features of rear wall section:

All Lande NETbox Wall Cabinets are manufactured to take rear section unit. Rear section is heavy duty welded framed construction. 2,0 mm thickness material welded as multi layer system creates at wall fixing provision a thickness of 4,0 mm.

A PVC cable entry gland plate is available at the rear for cable entry from the wall.

There is a 19" provision located at rear section, which allows if any passive cabling component needs to be housed, while the cable bundles could be housed inside the 100 mm depth of rear section.

Triangular, positioning brackets buried into the 100 mm rear housing box for alignment and strength.

Spanner style special locking mechanism fixes the rear 100 mm box, in the welded 50 mm depth frame, which integrates the rear section to the main NETbox wall cabinet.

Top and bottom of the rear section module has cable entry cut-outs closed with brushed cable entry provisions.

The design of the rear section has a specific flange system designed for heavy duty loading where 50 kgs of front NETbox wall cabinet total load is being carried without any problem. The 50 kgs of load capacity exists and performs while cabinet is in swinging position.

\*\*\* 50 kgs load capacity measured at integrated frontal wall cabinet of d:450 mm.

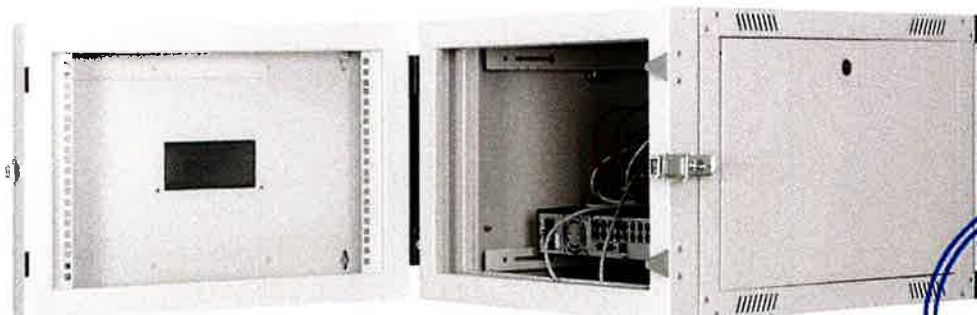
NETbox Rear Section Module, can be integrated to d:450 mm version wall mounting cabinet, which overall cabinet dimension to be 450+150=600 mm, the load capacity is 50kgs.

Once a deeper equipment to be fitted for the same purposes, NETbox rear section can be integrated to d:600 mm version wall mounting cabinet, which overall cabinet dimension to be 600+150=750 mm, the load capacity 35 kgs of load could be operated at swinging position. \*\*\* At 600 + 150 mm configuration, recommended to use for free standing purposes.

NETbox rear section units are being sold as a optional extra so it can be fitted later to any of available NETbox wall mounting cabinet to upgrade a single NETbox to a double. This feature simply offers a flexibility and availability since if there is stocked wall mounting cabinet available in warehouses, customer should need to order only the rear section unit. After removing the rear panel of existing Wall mounting cabinet, only 4 screws to be tighten again for integration of rear section unit.

NETbox rear section swinging direction can be easily changed, opening left to right or right to left.

Lande NETbox rear sections are available both in RAL 7035 Light Grey color and RAL 9005 Black color.



# 19" NETbox Double Section for Wall Mounting Cabinets

107

## Additional Features of Rear Section Integrated NETbox Double Section Wall Mounting Cabinets:

The feature of integration with castors or adjustable levelling feet is applicable for double section wall mounting cabinet if intended to use as free standing cabinet.



Please see detailed description in accessory section.

Part numbers to order:

\*\*\* LN-ZMN-TKR-5020-XX for Castor Set

LN-ZMN-PNY-1040-XX for PVC Levelling Feet Set

Once using the Lande NETbox double section wall cabinets for free standing purposes and access from rear of the enclosure could be managed by swinging capability of rear section.

Lande NETbox wall cabinets are being delivered with 1 set: 2 pcs 19" rails a 4 point fixing shelf or any other 4 point fixing equipment is to be installed in double section wall mounting cabinets, an additional set of 19" will need rails to be ordered. With this application it is possible to locate some deeper networking devices as well some heavy equipments like UPS's etc.

Part numbers to order:

\*\*\*LN-PRF-CMD-xx UD-ZN

Define xx as the U height of intended NETbox wall cabinet to be used.

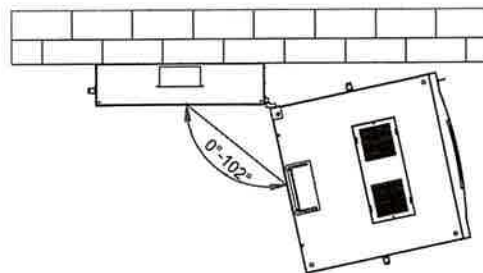
Example Part Nr: LN-PRF-CMD-07UD-ZN

Please see detailed description in accessory section.

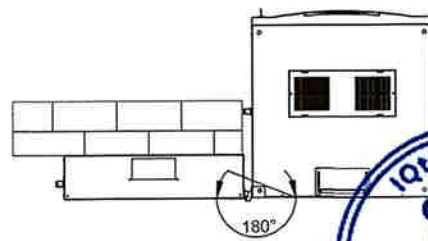
NETbox double section cabinets has the same front door variations as the d:450 mm or d:600 mm.

NETbox rear section module, can swing up to 102 degree opening, which is the best performance in its sector. If cabinet is used as free standing cabinet then 180 degree swinging is possible.

While cabinet is wall mounted, access can be managed to enclosure in fully swing out position up to 180 degree.



Double section wall opening angle



Double section column opening angle

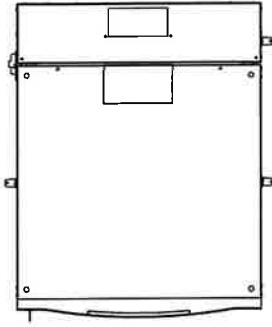




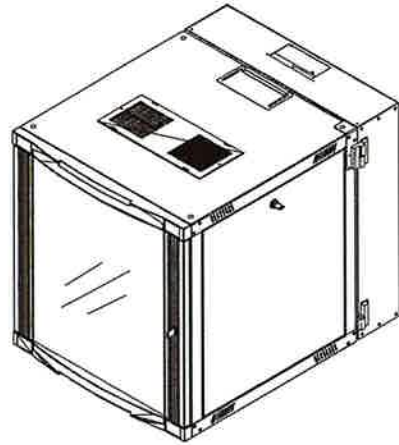
# 19" NETbox Double Section for Wall Mounting Cabinets

Width: 600 mm  
Depth: 150 mm

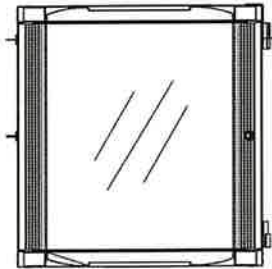
## Construction Drawings



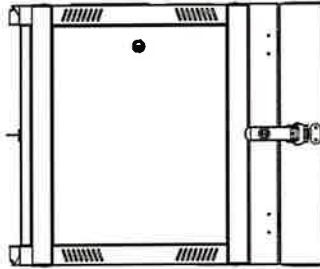
Bottom view



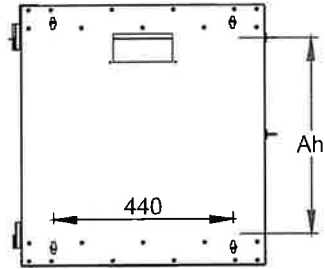
Isometric view



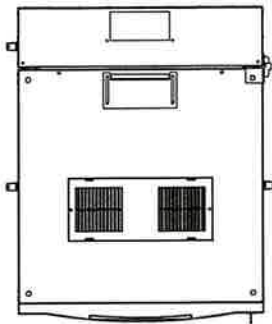
Front view



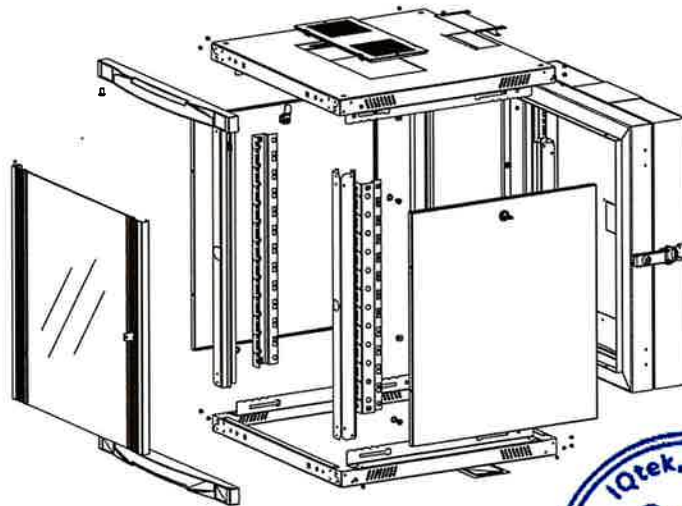
Side view



Rear view



Top view



Exploded view



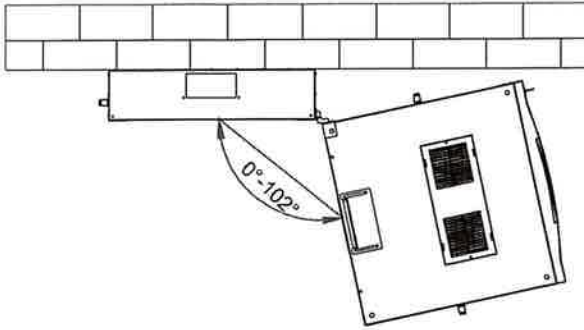


# 19" NETbox Double Section for Wall Mounting Cabinets

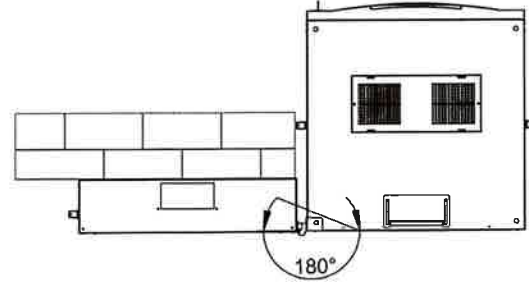
Width: 600 mm  
Depth: 150 mm

109

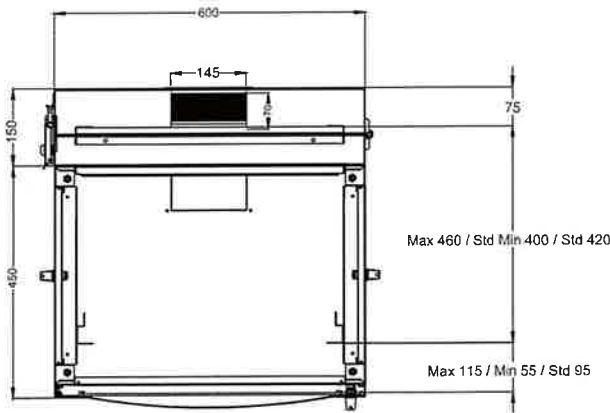
## Construction Drawings



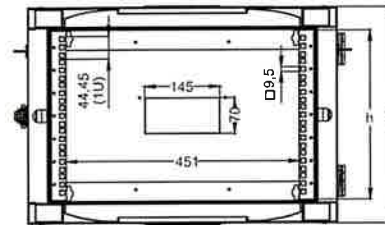
Double section wall opening angle



Double section column opening angle



Max / Std / Min  
Equipment Mounting Distance



Dimensions in  
width and height

### 19" NETbox Series Wall Mounting Cabinets Rear Section Module W=600 mm D=150 mm

*Product Number	Product Description	Size WxDxH mm	h Size in U	h in mm	H mm, overall	Ah Wall Mounting h mm	Width Overall mm	Width Rail to Rail	Depth Overall mm	QTY IN PACKAGE	PACKING DIMENSIONS WxDxH mm	Standard NET Weight of Product kgs	Gross Weight of Product kgs
LN-WM07U6015-CC	NETbox Wall Mounting Cabinet 7U Rear Section	600x150x423	7U	311	418	300	600	19"	150	1	655x175x450	8,2	8,8
LN-WM09U6015-CC	NETbox Wall Mounting Cabinet 9U Rear Section	600x150x512	9U	400	505	389	600	19"	150	1	655x175x535	10,4	11,3
LN-WM12U6015-CC	NETbox Wall Mounting Cabinet 12U Rear Section	600x150x646	12U	533	640	522	600	19"	150	1	655x175x665	13,3	15
LN-WM16U6015-CC	NETbox Wall Mounting Cabinet 16U Rear Section	600x150x824	16U	711	818	700	600	19"	150	1	655x175x850	18,2	20
LN-WM20U6015-CC	NETbox Wall Mounting Cabinet 20U Rear Section	600x150x1001	20U	889	996	878	600	19"	150	1	655x175x1025	21,3	25

\* CC= LG for Light Grey RAL 7035 & BL for Black RAL 9005 for customers to define while ordering.

\*\* Heavy duty rear section products can be ordered separately as an accessory and installation can be done on site with 4 screws only. Only rear panel of the NETBox cabinet to be removed and rear section will be installed. In case required factory assembled delivery can be offered.

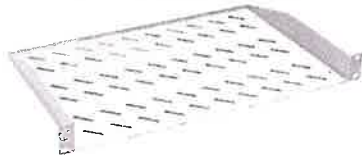


# 19" NETbox Wall Mounting Cabinets <sup>110</sup>

## Frequent Used Accessorries



LN-RAF-RMO-1U25-CC



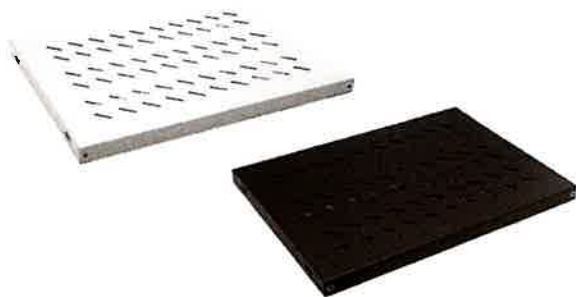
LN-RAF-RMO-2U35-CC



The Shelf is front mount assembly to the equipment mounting rails. Universal fitting so Multivendor, the shelves are manufactured with ventilation slots allowing the convection of heated air inside cabinets, supply is in RAL 9005 Black and RAL 7035 Light Grey colors. Material steel with high Load capacity 15 kgs.

NETbox Wall Mounting Cabinet - 2 Point Fixed Shelves		
* Part Number	w:600 x d:450 mm	w:600 x d:600 mm
LN-RAF-RMO-1U25-CC	✓	✓
LN-RAF-RMO-2U35-CC	✓	✓

\* CC is color code: please insert BL for Black and LG for Light Grey on the part numbers while creating order.



Fixed Shelves, 4 point fixing, the shelves are manufactured with ventilation slots . to allow the convection of heated air inside cabinets Supply is in RAL 9005 Black and RAL 7035 Light Grey colors. Manufactured from steel providing high Load capacity 50 kgs.

NETbox Wall Mounting Cabinet - 4 Point Fixed Shelves		
***Part Number	w:600 x d:450 mm	w:600 x d:600 mm
LN-RAF-SBT-D600-PR-CC	-	✓

\* CC is color code: please insert BL for Black and LG for Light Grey on the part numbers while creating order.

\*\* Please make sure you have ordered additional set of 19" rails.

\*\*\* LN-PRF-CMD-xx UD-ZN, define xx as the U height of intended NETbox wall cabinet to be used.

Example Part Nr: LN-PRF-CMD-07UD-ZN.



4 point fixing, compatible with all brand cabinets multivendor. Adjustable brackets at depth. The shelves are manufactured with ventilation slots allowing the convection of heated air inside cabinets. Supply is in RAL 9005 Black and RAL 7035 Light Grey colors. Manufactured from steel providing high. Load capacity 50 kgs.

NETbox Wall Mounting Cabinet - Sliding Shelves		
***Part Number	w:600 x d:450 mm	w:600 x d:600 mm
LN-RAF-HRK-D600-CC	-	✓

\* CC is color code: please insert BL for Black and LG for Light Grey on the part numbers while creating order.

\*\* Please make sure you have ordered additional set of 19" rails.

\*\*\* LN-PRF-CMD-xx UD-ZN, define xx as the U height of intended NETbox wall cabinet to be used.

Example Part Nr: LN-PRF-CMD-07UD-ZN.



# 19" NETbox Wall Mounting Cabinets 111

## Frequent Used Accessories



Ready assembled, plug and play with 0-35°C operating analog thermostat switch and plugs. Each fan has an air flow capacity of 2,3-3 cbm/min. Fan technical data: 18/17 W, 220/240 VAC, 50/60 Hz, 013/0,11 A, 2300/3000 rpm 42 dB noise level, fan life: 50.000 hours.

NETbox Wall Mounting Cabinet - Fan Modules		
* Part Number	w:600 x d:450 mm	w:600 x d:600 mm
LN-FAN-ONF-1FWM-CC	✓	✓
LN-FAN-ONF-2FWM-CC	✓	✓
LN-FAN-THM-1FWM-CC	✓	✓
LN-FAN-THM-2FWM-CC	✓	✓

\*CC is color code: please insert BL for Black and LG for Light Grey on the part numbers while creating order.



Castor set 4 pcs 360 degree turning on y axis, 2 pcs with brakes, 2 pcs w/o brakes, single point fixing, each caster has 100 kgs of load capacity.

Leveling feet is height adjustable M10 threaded 1set 4 pcs.

NETbox Wall Mounting Cabinet - Leveling Feet and Castor Groups		
Part Number	w:600 x d:450 mm	w:600 x d:600 mm
LN-ZMN-PNY-1040-XX	✓	✓
LN-ZMN-TKR-5020-XX	✓	✓



M6 steel caged nut set, screw and nuts included, 8 pcs set, 20 pcs set and 50 pcs set.

NETbox Wall Mounting Cabinet Mounting Hardware		
Part Number	w:600 x d:450 mm	w:600 x d:600 mm
LN-DGR-KFS-M608-XX	✓	✓
LN-DGR-KFS-M620-XX	✓	✓
LN-DGR-KFS-M650-XX	✓	✓



# 19" NETbox Wall Mounting Cabinets 112

## Frequent Used Accessorries



Horizontal cable management panels are for the cable management inside the cabinet, with the intend of carrying the cables into the final connection point. 1U 19" with 5 rings. Supply is in RAL 9005 Black and RAL 7035 Light Grey colors.

NETbox Wall Mounting Cabinet - Horizontal Cable Management		
* Part Number	w:600 x d:450 mm	w:600 x d:600 mm
LN-KDG-YKD-1UKN-CC	✓	✓

\* CC is color code: please insert BL for Black and LG for Light Grey on the part numbers while creating order.



PDU 6xDIN49440 socket Schuko power strip, 19" 1U, aluminium housing, 1x16A cct breaker, 4000 Watt, 250V AC, 3x1.5mm<sup>2</sup>, 2,5m cable, DIN 49441 plug, CE approval.

PDU 6xBS1363 UK socket power strip, 19" 1U, aluminium housing, 16A illuminated on/off switched, 3250 Watt, 250V AC, 3x1.5mm<sup>2</sup>, 2,5m cable, 13A BS1363 plug, CE approval

NETbox Wall Mounting Cabinet - Power Distribution Unit		
Part Number	w:600 x d:450 mm	w:600 x d:600 mm
LN-PRZ-SGT-1U6P-SC	✓	✓
LN-PRZ-ONF-1U6P-UK	✓	✓



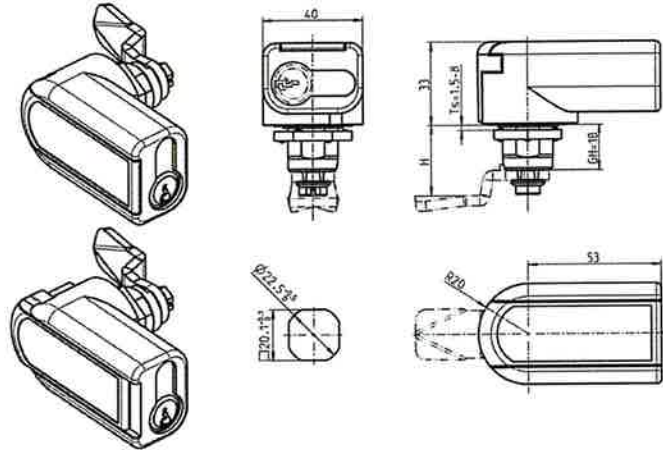


# 19" NETbox Wall Mounting Cabinets 113

## Frequent Used Accessories



LN-TPZ-U837

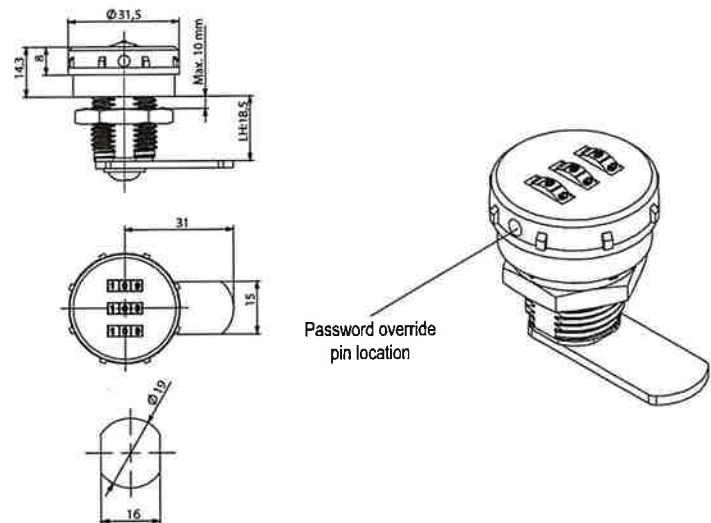


LN-TPZ-U837 is the profile half cylinder lock handle for wall mounting cabinets. If customers are wishing to use different password lock keys with profile half cylinder locking ergonomic handle allows and provides this as an option. Feature of profile half cylinder lock is without the key once closed it locks. DIN 18252 (EN 1303) body Zamak, external housing Polyamide GF Black.

NETbox Wall Mounting Cabinet - Lock Type		
Part Number	w:600 x d:450 mm	w:600 x d:600 mm
LN-TPZ-U837	✓	✓



LN-DGT-4150



LN-DGT-4150 is digit lock with 3 mechanical digits 0 to 9, means 000 to 999, thousand different lock passwords can be assigned. Mechanically override possibility for new password if the existing password forgotten. Made of Zamak Casted Iron chromated, DIN-EN 1774-ZnAl4Cu1.

NETbox Wall Mounting Cabinet - Lock Type		
Part Number	w:600 x d:450 mm	w:600 x d:600 mm
LN-DGT-4150	✓	





## CONTACT DETAILS

### Headquarters

**Address:**

Merve Mah. Gazi Cad. No: 17 **Phone:** +90 216 312 26 53  
Sancaktepe - İstanbul / TURKEY **Fax** : +90 216 312 09 09

### Factory

**Address:**

20. Cadde No: 14 Eskişehir **Phone:** +90 222 236 24 66 pbx  
Organize San. Böl. 26110 **Fax** : +90 222 236 13 53  
Eskişehir / TURKEY

[www.lande.com.tr](http://www.lande.com.tr) | [sales@lande.com.tr](mailto:sales@lande.com.tr)

