

Oferta Técnica

OFFITEK SRL

Fecha: 21/01/2024

Referencia: JCE-CCC-CP-2024-0007

Adquisición de equipos y materiales de videovigilancia para la nueva edificación donde se alojará la Junta Electoral de San Francisco de Macorís.



Señores:

COMITÉ DE COMPRAS Y CONTRATACIONES

Junta Central Electoral

Santo Domingo, Distrito Nacional, Rep. Dom.

A continuación, les presentamos, a la Junta Central Electoral, nuestra oferta técnica con relación a los equipos informáticos consignados a continuación:

Ítem	Cant.	Descripción	Marca	Modelo	Especificaciones
1	95	Cámara Domo	Hikvision	DS-2CD2147G2H-LISU	VER DATASHEET
2	20	Cámara Bullet	Hikvision	DS-2CD2047G2H-LIU	VER DATASHEET
3	4	NVR	Hikvision	DS-7732NI-M4_24P(B)	VER DATASHEET
4	4	Switch de 24 puertos	Cisco	CBS-350-24P-4X	VER DATASHEET
5	2	Switch de 16 puertos	Cisco	C1300-16P-4X	VER DATASHEET
6	2	Gabinetes (Rack)	Venlogic	QA6606	↓ 600mm X 600mm ↓ 6U ↓ Cerrado ↓ Para utilizar en pared ↓ Puerta de cristal ↓ Estructura negra
7	2	Gabinetes (Rack)	Venlogic	QA6609	↓ 600mm X 600mm ↓ 9U ↓ Cerrado ↓ Para utilizar en pared ↓ Puerta de cristal ↓ Estructura negra
8	3	Regletas	KungFuKing	N/A	↓ COLOR NEGRO ↓ 12 OUTLETS ↓ MONTAJE EN RACK HASTA 19" ↓ 6 PIES
9	6	Cable UTP	Agiler	AGI-CT2000	↓ CAT6 ↓ 1000 PIES ↓ 23 AWG ↓ ALEACION COBRE Y ALUMINIO ↓ 4 PARES ↓ GRIS

RNC 1-01-893936
Santo Domingo R.D.

10	400	Conectores RJ-45	Agiler	AGI-1418	✚ CAT 6
11	150	Botas de Protección	GENERICA	N/A	✚ PARA RJ45 ✚ COLOR AZUL
12	150	Botas de Protección	GENERICA	N/A	✚ PARA RJ45 ✚ COLOR BLANC
13	8	Disco Duro	Western Digital	WD80EAZZ	✚ CAPACIDAD 8TB ✚ FORMATO 3.5" ✚ CONECTOR SATA 6 Gb/s ✚ 5640 RPM ✚ CACHE 128MB

- ✚ **Condiciones de pago: Crédito a Treinta (30) días, luego de entregada la totalidad de lo adjudicado.**
- ✚ **Validez de oferta: Sesenta (60) días hábiles, a partir de la fecha de Apertura de la Oferta Económica (Sobre "B")**
- ✚ **Tiempo de entrega: ITEMS #1, #2 Y #3: DE 9 A 12 SEMANAS, ITEMS RESTANTES: 12 A 15 DIAS, luego de recibida la notificación de adjudicación.**
- ✚ **Garantía: 12 Meses (1 Año)**

ENGERBERT ANDRES ORTIZ en calidad de **PRESIDENTE** debidamente autorizado para actuar en nombre y representación de **OFFITEK, SRL**

Firma



El día **VEINTI UNO (21)** del mes de **FEBRERO** de **DOS MIL VEINTI CUATRO (2024)**

RNC 1-01-89393-1
Santo Domingo R.D.

CARTA COMPROMISO DE ENTREGA

21 de febrero de 2024

Señores:

JUNTA CENTRAL ELECTORAL

Atención: Departamento de compras y Contrataciones

Estimados Señores:

Por medio de la presente **DECLARAMOS** que, en caso de ser adjudicados, declaramos que estaremos haciendo entrega **ITEMS #1, #2 Y #3: DE 9 A 12 SEMANAS, ITEMS RESTANTES: 12 A 15 DIAS, luego de recibida la notificación de adjudicación.**, luego de recibida la Notificación De Adjudicación, según lo adjudicado concierne al proceso de compras: **JCE-CCC-CP-2024-0007**, referente a la **Adquisición de equipos y materiales de videovigilancia para la nueva edificación donde se alojará la Junta Electoral de San Francisco de Macorís.**

Esta comunicación la hemos elaborado a solicitud de la:

JUNTA CENTRAL ELECTORAL

Atentamente,



RNC. 1-01-89393-1

Santo Domingo, R.D.
Engerbert Andres Ortiz

Engerbert Andres Ortiz

Gerente

21 de febrero de 2024

Señores:
JUNTA CENTRAL ELECTORAL

Atención: Departamento de compras y Contrataciones

Estimados Señores:

Por medio de la presente **DECLARAMOS** que, en caso de ser adjudicados, luego de recibida la Notificación De Adjudicación, según lo adjudicado concerniente al proceso de compras: **JCE-CCC-CP-2024-0007**, referente a la **Adquisición de equipos y materiales de videovigilancia para la nueva edificación donde se alojará la Junta Electoral de San Francisco de Macorís.**

ESTAREMOS OTORGANDO:

• **12 MESES (1 AÑO) DE GARANTIA**

Esta comunicación la hemos elaborados a solicitud del:
JUNTA CENTRAL ELECTORAL

Atentamente,



RNC. 1-01-89393-1
Santo Domingo, R.D.
Engerbert Andrés Ortiz
Gerente

DS-7732NI-M4/24P M Series 8K NVR

Key Feature

- H.265+/H.265/H.264+/H.264 video formats
- Up to 32-ch IP camera inputs
- Up to 40-ch@1080p decoding capacity
- Up to 320 Mbps incoming bandwidth



Professional and Reliability

- H.265+ compression effectively reduces the storage space by up to 75%
- Dual-stream recording saves bandwidth
- Adopt stream over TLS encryption technology which provides more secure stream transmission service
- Support double verification for playback and downloading
- Solar-powered camera is connectable through OTAP protocol. NVR would get stream when user requests, and camera would send back videos according to the schedule

HD Video Output

- Provide independent HDMI and VGA outputs
- HDMI video output at up to 8K resolution
- Dual 4K HDMI output resolution

Storage and Playback

- Up to 4 SATA interfaces for HDD connection
- 16-ch synchronous playback

Smart & POS Function

- Support multiple VCA (Video Content Analytics) events
- Configurable special camera smart functions, such as VCA detection (motion, line crossing, intrusion, etc.), heat map, ANPR, and people counting
- POS information overlay on live view and playback, and POS triggered recording and alarm

Network & Ethernet Access

- 16 independent PoE network interfaces
- 1 self-adaptive 10/100/1000 Mbps Ethernet interface
- Hik-Connect & DDNS (Dynamic Domain Name System) for easy network management
- Smooth streaming technology
- Support web access without plug-in

offitek
RNG 1-01-893981
S619 Domingo R21

▪ Specification

Video and Audio	
IP Video Input	32-ch Up to 32 MP resolution *: The NVR supports up to 8-ch 32 MP/24 MP IP video inputs.
Incoming Bandwidth	320 Mbps
Outgoing Bandwidth	400 Mbps
HDMI 1 Output	8K (7680 × 4320)/30Hz, 4K (3840 × 2160)/60Hz, 4K (3840 × 2160)/30Hz, 2K (2560 × 1440)/60Hz, 1920 × 1080/60Hz, 1600 × 1200/60Hz, 1280 × 1024/60Hz, 1280 × 720/60Hz, 1024 × 768/60Hz
HDMI 2 Output	4K (3840 × 2160)/60Hz, 4K (3840 × 2160)/30Hz, 2K (2560 × 1440)/60Hz, 1920 × 1080/60Hz, 1600 × 1200/60Hz, 1280 × 1024/60Hz, 1280 × 720/60Hz, 1024 × 768/60Hz *: When HDMI 1 output resolution is 8K, the maximum HDMI 2 output resolution is 1080p.
VGA Output	1920 × 1080/60Hz, 1600 × 1200/60Hz, 1280 × 1024/60Hz, 1280 × 720/60Hz, 1024 × 768/60Hz
Video Output Mode	HDMI1/VGA simultaneous output, HDMI2/VGA independent output
CVBS Output	1-ch, BNC (1.0 Vp-p, 75 Ω), resolution: PAL: 704 × 576, NTSC: 704 × 480
Audio Output	1-ch, RCA (Linear, 1 KΩ)
Two-Way Audio	1-ch, RCA (2.0 Vp-p, 1 KΩ, using the audio input)
Decoding	
Decoding Format	H.265+/H.265/H.264+/H.264 32 MP/24 MP/12 MP/8 MP/6 MP/5 MP/4 MP/3 MP/1080p/UXGA/720p/VGA
Recording Resolution	/4CIF/DCIF/ 2CIF/CIF/QCIF *: The NVR supports up to 8-ch 32 MP/24 MP IP video inputs.
Synchronous Playback	16-ch 2-ch@32 MP (30 fps) + 2-ch@8 MP (30 fps)/10-ch@8 MP (30 fps)/20-ch@4 MP (30 fps)/40-ch@1080p (30 fps)
Decoding Capability	
Dual-Stream Recording	Support
Stream Type	Video, Video & Audio
Audio Compression	G.711ulaw/G.711alaw/G.722/G.726/AAC/MP2L2
Network	
Remote Connection	128
Network Protocol	TCP/IP, DHCP, IPv4, IPv6, DNS, DDNS, NTP, RTSP, SADP, SMTP, SNMP, NFS, iSCSI, ISUP, UPnP™, HTTP, HTTPS
Network Interface	1, RJ-45 10/100/1000 Mbps self-adaptive Ethernet interface
PoE	
Interface	24, RJ-45 10/100 Mbps self-adaptive Ethernet interface
Power	≤ 210 W
Standard	IEEE 802.3 af/at
Auxiliary Interface	
eSATA	1 eSATA Interface
SATA	4 SATA interfaces
Capacity	Up to 16 TB capacity for each HDD

offitek
 PNC 1-01-89393-1
 *Dependent to R.3

Alarm In/Out	16/9
USB Interface	Front panel: 2 × USB 2.0; Rear panel: 1 × USB 3.0
Ctrl 12V	Controllable 12 VDC, 1 A power output for external alarm device; The power will be turned on when the alarm output is triggered. *: The Ctrl 12V power is controlled by alarm output 9.
DC 12V	12 VDC, 1 A power output

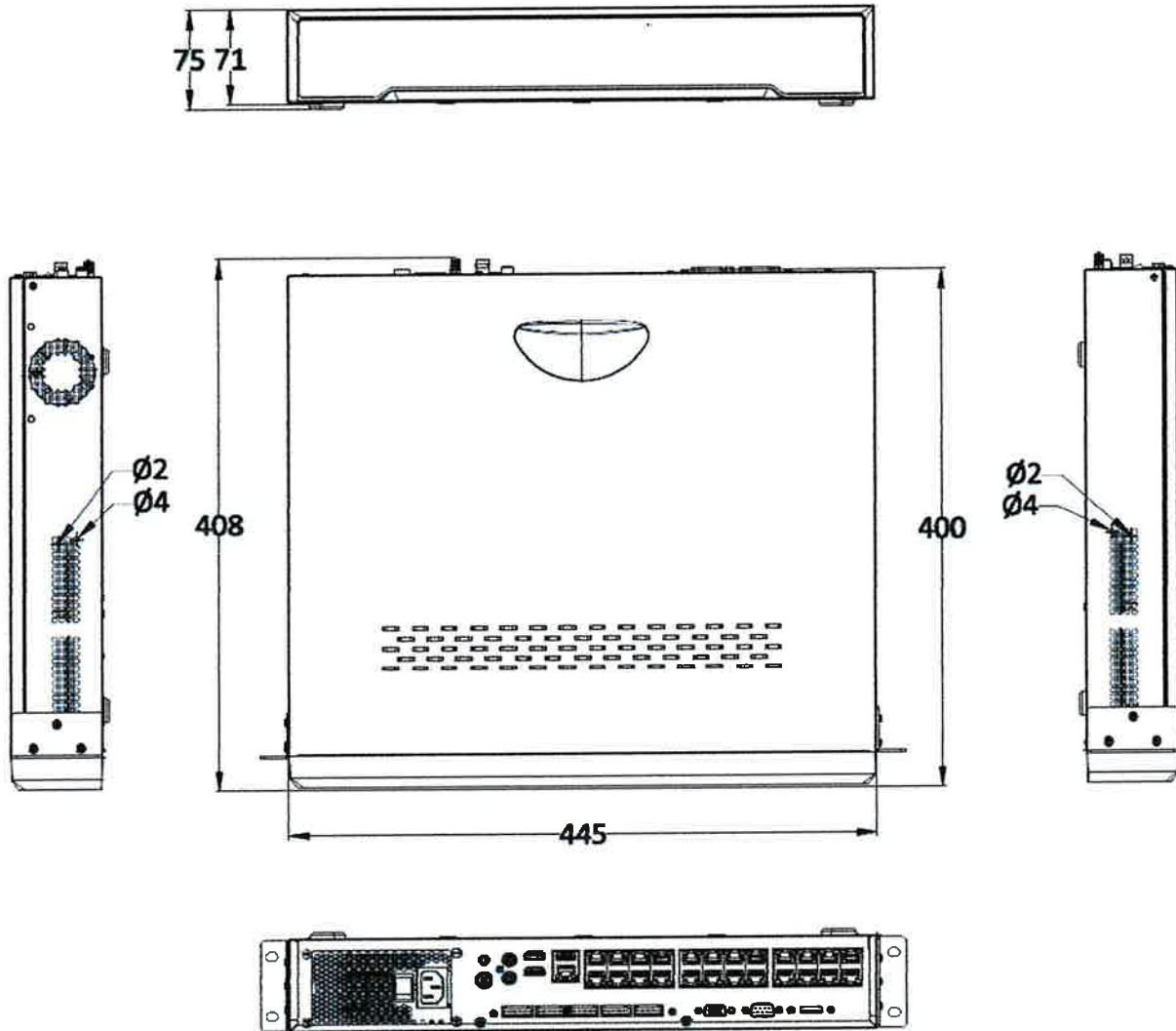
General

Power Supply	100 to 240 VAC, 50 to 60 Hz
Consumption	≤ 15 W (without HDD and PoE off)
Working Temperature	-10 °C to 55 °C (14 °F to 131 °F)
Working Humidity	10% to 90%
Chassis	19-inch rack-mounted 1.5U chassis
Dimension (W × D × H)	445 × 400 × 75 mm (17.5"× 15.7" × 3.0")
Weight	≤ 5 kg (without HDD, 11 lb.)

Certification

Obtained Certification	CE, REACH, WEEE, FCC, CB, RCM, KC, UL
CE	EN 55032:2015+A1:2020, ENIEC61000-3-2:2019+A1:2021, EN 61000-3-3:2013+A1:2019, EN 50130-4:2011+A1:2014, EN 55035:2017+A11:2020
FCC	Part 15 Subpart B, ANSI C63.4-2014

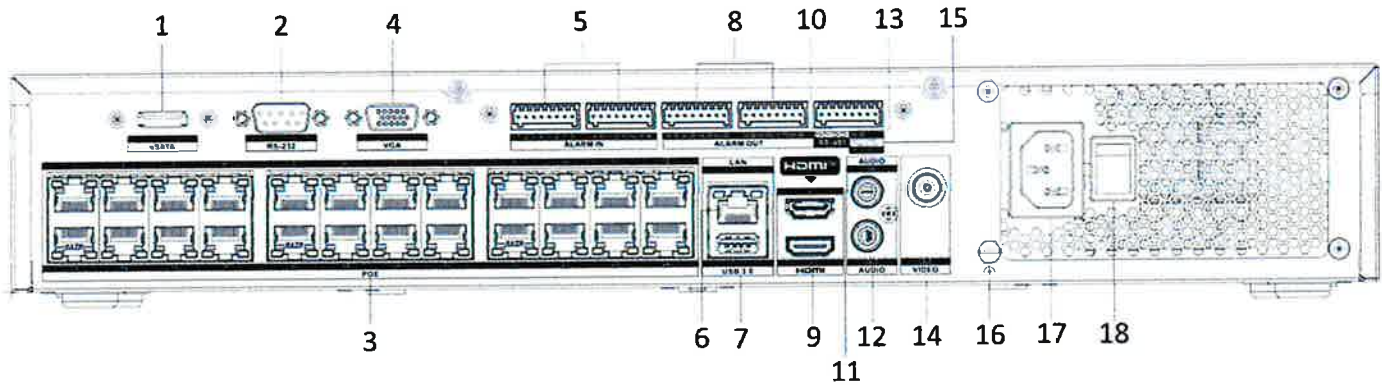
Dimension



scale/1:1;Unit/mm

offitek
RNC 1-01-89893-1
Sanyo Shikoku R3

▪ **Physical Interface**



No.	Description	No.	Description
1	eSATA interface	10	RS-485 interface
2	RS-232 interface	11	AUDIO IN
3	Network interfaces with PoE functions	12	AUDIO OUT
4	VGA interface	13	Ctrl 12V
5	ALARM IN	14	VIDEO OUT
6	LAN interface	15	DC 12V
7	USB 3.0 interface	16	GND
8	ALARM OUT	17	Power supply
9	HDMI interface	18	Power switch

▪ **Available Model**

DS-7732NI-M4/24P

offitek
 RNC 1-01-893931
 RUMAH PINTAR R3

Headquarters

No.333 Djember Road, Binjaya District,
 Mangrove Estate, Cikarang
 T +66 571 8907 5959
www.hikvision.com



Follow up on our accounts to get the latest product and service information



HIKVISION



HIKVISIONHQ



HIKVISIONHQ



HIKVISION Global



HIKVISION Corporate Channel



HIKVISIONHQ

DS-2CD2147G2H-LI(SU)

4 MP Smart Hybrid Light with ColorVu Fixed Dome Network Camera



ColorVu



- High quality imaging with 4 MP resolution
- Smart Hybrid Light: advanced technology with long range
- Clear imaging against strong back light due to 130 dB WDR technology
- Efficient H.265+ compression technology
- Focus on human and vehicle classification based on deep learning
- -U: Built-in microphone for real-time audio security
- Water and dust resistant (IP67) and vandal-resistant (IK10)

offitek
RNG 1-800-893937
Sales & Marketing
San Diego, CA

▪ Specification

Camera

Image Sensor	1/1.8" Progressive Scan CMOS
Max. Resolution	2688 × 1520
Min. Illumination	Color: 0.0005 Lux @ (F1.0, AGC ON), 0 Lux with light
Shutter Time	1/3 s to 1/100,000 s
Day & Night	IR cut filter
Angle Adjustment	Pan: 0° to 355°, tilt: 0° to 75°, rotate: 0° to 355°

Lens

Lens Type	Fixed focal lens, 2.8 and 4 mm optional
Focal Length & FOV	2.8 mm, horizontal FOV 104.0°, vertical FOV 54.4°, diagonal FOV 126.7° 4 mm, horizontal FOV 89.2°, vertical FOV 45.5°, diagonal FOV 108.2°
Lens Mount	M16
Iris Type	Fixed
Aperture	F1.0
Depth of Field	2.8 mm: 2.5 m to ∞ 4 mm: 3.1 m to ∞

DORI

DORI	2.8 mm: D: 61 m, O: 24 m, R: 12 m, I: 6 m 4 mm: D: 75 m, O: 30 m, R: 15 m, I: 7 m
------	--

Illuminator

Supplement Light Type	IR, White Light
Supplement Light Range	Up to 30 m
Smart Supplement Light	Yes
IR Wavelength	850 nm

Video

Main Stream	50 Hz: 25 fps (2688 × 1520, 1920 × 1080, 1280 × 720) 60 Hz: 30 fps (2688 × 1520, 1920 × 1080, 1280 × 720)
Sub-Stream	50 Hz: 25 fps (1280 × 720, 640 × 480, 640 × 360) 60 Hz: 30 fps (1280 × 720, 640 × 480, 640 × 360)
Third Stream	50 Hz: 10 fps (1920 × 1080, 1280 × 720, 640 × 480, 640 × 360) 60 Hz: 10 fps (1920 × 1080, 1280 × 720, 640 × 480, 640 × 360) *The third stream is supported under certain settings.
Video Compression	Main stream: H.265/H.264/H.264+/H.265+, Sub-stream: H.265/H.264/MJPEG, Third stream: H.265/H.264, *Third stream is supported under certain settings.
Video Bit Rate	32 Kbps to 8 Mbps
H.264 Type	Baseline Profile, Main Profile, High Profile
H.265 Type	Main Profile
Bit Rate Control	CBR, VBR
Scalable Video Coding (SVC)	H.264 and H.265 encoding
Region of Interest (ROI)	1 fixed region for main stream and sub-stream

Audio

Audio Compression	-U: G.711/G.722.1/G.726/MP2L2/PCM/MP3/AAC-LC
-------------------	--

offitek
RNC 101689393
R. G. Domingos R. G.

Audio Bit Rate	-U: 64 Kbps (G.711ulaw/G.711alaw)/16 Kbps (G.722.1)/16 Kbps (G.726)/16 Kbps to 64 Kbps (AAC-LC)/32 to 192 Kbps (MP2L2)/8 to 320 Kbps (MP3)
Audio Sampling Rate	-U: 8 kHz/16 kHz/32 kHz/44.1 kHz/48 kHz
Environment Noise Filtering	-U: Yes

Network

Protocols	TCP/IP, ICMP, HTTP, HTTPS, FTP, DHCP, DNS, DDNS, RTP, RTSP, RTCP, NTP, UPnP, SMTP, IGMP, 802.1X, QoS, IPv4, IPv6, UDP, Bonjour, SSL/TLS, PPPoE, SNMP, WebSocket, WebSockets, SRTP, SFTP
Simultaneous Live View	Up to 6 channels
API	Open Network Video Interface (Profile S, Profile G, Profile T), ISAPI, SDK, ISUP
User/Host	Up to 32 users 3 user levels: administrator, operator, and user
Security	Password protection, complicated password, HTTPS encryption, 802.1X authentication (EAP-TLS, EAP-LEAP, EAP-MD5), watermark, IP address filter, basic and digest authentication for HTTP/HTTPS, WSSE and digest authentication for Open Network Video Interface, RTP/RTSP over HTTPS, control timeout settings, security audit log, TLS 1.1/1.2/1.3, host authentication (MAC address) NAS (NFS, SMB/CIFS), Auto Network Replenishment (ANR)
Network Storage	Together with high-end Hikvision memory card, memory card encryption and health detection are supported.
Client	iVMS-4200, Hik-Connect, Hik-Central Plug-in required live view: IE 10, IE 11,
Web Browser	Plug-in free live view: Chrome 57.0+, Firefox 52.0+, Edge 89+, Local service: Chrome 57.0+, Firefox 52.0+, Edge 89+

Image

Image Parameters Switch	Yes
Image Settings	Rotate mode, saturation, brightness, contrast, sharpness, gain, white balance, adjustable by client software or web browser
Day/Night Switch	Day, Night, Auto, Schedule
Image Enhancement	BLC, HLC, 3D DNR
SNR	≥ 52 dB
Wide Dynamic Range (WDR)	130 dB
Privacy Mask	4 programmable polygon privacy masks



offitek
RNC 10189383-1
Santo Domingo R.D.

Interface

Ethernet Interface	1 RJ45 10 M/100 M self-adaptive Ethernet port
On-Board Storage	Built-in memory card slot, support microSD/microSDHC/microSDXC card, up to 512 GB
Built-in Microphone	-U: Yes -S: 1 input (line in), two-core terminal block, max. input amplitude: 3.3 Vpp, input impedance: 4.7 KΩ, interface type: non-equilibrium, -S: 1 output (line out), two-core terminal block, max. output amplitude: 3.3 Vpp, output impedance: 100 Ω, interface type: non-equilibrium
Audio	
Alarm	-Si 1 input, 1 output (max. 12 VDC, 30 mA)
Reset Key	Yes
Event	
Basic Event	Motion detection (support alarm triggering by specified target types (human and

Linkage	Upload to FTP/NAS/memory card, notify surveillance center, trigger recording, trigger capture, send email
Smart Event	Scene change detection
Deep Learning Function	
Face Capture	Yes
Perimeter Protection	Line crossing, intrusion, region entrance, region exiting Support alarm triggered by specified target types (human and vehicle)
General	
Power	12 VDC \pm 25%, 0.6 A, max. 7.2 W, \varnothing 5.5 mm coaxial power plug, reverse polarity protection, PoE: IEEE 802.3af, Class 3, max. 8.5 W
Material	Base: aluminum alloy, cover: aluminum alloy
Dimension	\varnothing 121.5 mm \times 97.6 mm (\varnothing 4.78" \times 3.84")
Package Dimension	234 mm \times 120 mm \times 117 mm (9.2" \times 4.7" \times 4.6")
Weight	Approx. 525 g (1.2 lb.)
With Package Weight	Approx. 750 g (1.7 lb.)
Storage Conditions	-30 °C to 60 °C (-22 °F to 140 °F). Humidity 95% or less (non-condensing)
Startup and Operating Conditions	-30 °C to 60 °C (-22 °F to 140 °F). Humidity 95% or less (non-condensing)
General Function	Heartbeat, mirror, password reset via email, pixel counter, anti-banding
Language	33 languages: English, Russian, Estonian, Bulgarian, Hungarian, Greek, German, Italian, Czech, Slovak, French, Polish, Dutch, Portuguese, Spanish, Romanian, Danish, Swedish, Norwegian, Finnish, Croatian, Slovenian, Serbian, Turkish, Korean, Traditional Chinese, Thai, Vietnamese, Japanese, Latvian, Lithuanian, Portuguese (Brazil), Ukrainian
Approval	
EMC	CE-EMC: EN 55032: 2015, EN 61000-3-2:2019, EN 61000-3-3: 2013+A1:2019, EN 50130-4: 2011 +A1: 2014, IC: ICES-003: Issue 7, KC: KN32: 2015, KN35: 2015, RCM: AS/NZS CISPR 32: 2015 UL: UL 62368-1,
Safety	CB: IEC 62368-1: 2014+A11, CE-LVD: EN 62368-1: 2014/A11: 2017, BIS: IS 13252 (Part 1): 2010/IEC 60950-1: 2005 CE-RoHS: 2011/65/EU,
Environment	WEEE: 2012/19/EU, Reach: Regulation (EC) No 1907/2006
Protection	IP67: IEC 60529-2013, IK10: IEC 62262:2002

offitek
 PNC 101289393
 [Signature]

Typical Application

Hikvision products are classified into three levels according to their anti-corrosion performance. Refer to the following description to choose for your using environment.

This model has NO SPECIFIC PROTECTION.

Level	Description
Top-level protection	Hikvision products at this level are equipped for use in areas where professional

Moderate protection

Hikvision products at this level are equipped for use in areas with moderate anti-corrosion demands. Typical application scenarios include coastal areas about 2 kilometers (1.24 miles) away from coastlines, as well as areas affected by acid rain.

No specific protection

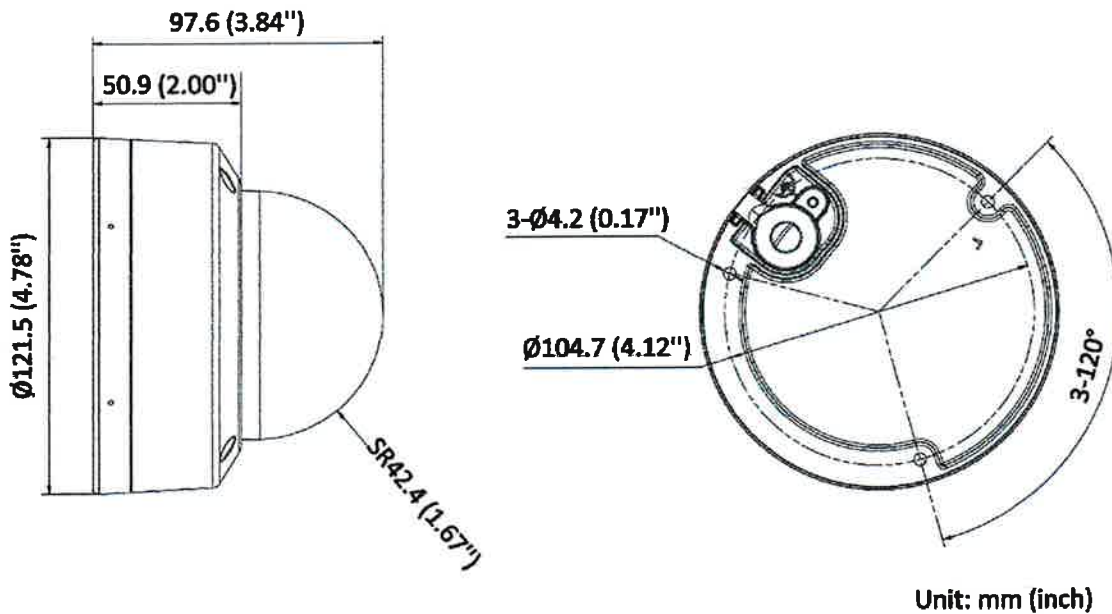
Hikvision products at this level are equipped for use in areas where no specific anti-corrosion protection is needed.

▪ **Available Model**

DS-2CD2147G2H-LISU (2.8/4 mm)

DS-2CD2147G2H-LI (2.8/4 mm)

▪ **Dimension**



offitek
 RNC 1-0189393
 Santo Domingo R.D.

DS-2CD2646G2T-IZS

4 MP AcuSense Powered-by-DarkFighter Motorized Varifocal Bullet Network Camera

AcuSense

Powered by

DarkFighter



Empowered by deep learning algorithms, Hikvision AcuSense technology brings human and vehicle targets classification alarms to front- and back-end devices. The system focuses on human and vehicle targets, vastly improving alarm efficiency and effectiveness.

- High quality imaging with 4 MP resolution
- Excellent low-light performance with powered-by-DarkFighter technology
- Motorized varifocal lens for easy installation and monitoring
- Clear imaging against strong backlight due to 120 dB true WDR technology
- Efficient H.265+ compression technology
- Focus on human and vehicle targets classification based on deep learning
- Audio and alarm interface available
- Water and dust resistant (IP67) and vandal-resistant (IK10)

offitek
RINC 1-01289393
[Handwritten signature]

• Specification

Camera

Image Sensor	1/3" Progressive Scan CMOS
Min. Illumination	Color: 0.003 Lux @ (F1.4, AGC ON), B/W: 0 Lux with IR
Max. Resolution	2688 × 1520
Shutter Time	1/3 s to 1/100,000 s
Day & Night	IR cut filter
Angle Adjustment	Pan: 0° to 355°, tilt: 0° to 90°, rotate: 0° to 360°

Lens

Focal Length & FOV	2.8 to 12 mm, horizontal FOV 108° to 30°, vertical FOV 56° to 17°, diagonal FOV 131° to 35°
Lens Type	Varifocal lens, motor-driven lens, 2.8 to 12 mm
Aperture	F1.4
Lens Mount	Ø14
Iris Type	Fixed

DORI

	2.8 to 12 mm:
DORI	Wide: D: 64.0 m, O: 25.4 m, R: 12.8 m, I: 6.4 m Tele: D: 190 m, O: 75.4 m, R: 38.0 m, I: 19.0 m

Illuminator

Supplement Light Type	IR
Supplement Light Range	Up to 60 m
IR Wavelength	850 nm
Smart Supplement Light	Yes

Video

Main Stream	50 Hz: 25 fps (2688 × 1520, 1920 × 1080, 1280 × 720)
	60 Hz: 30 fps (2688 × 1520, 1920 × 1080, 1280 × 720)
Sub-Stream	50 Hz: 25 fps (1280 × 720, 640 × 480, 640 × 360)
	60 Hz: 30 fps (1280 × 720, 640 × 480, 640 × 360)
Third Stream	50 Hz: 10 fps (1920 × 1080, 1280 × 720, 640 × 480, 640 × 360)
	60 Hz: 10 fps (1920 × 1080, 1280 × 720, 640 × 480, 640 × 360)
Video Compression	*Third stream is supported under certain settings. Main stream: H.265/H.264/H.265+/H.264+ Sub-stream: H.265/H.264/MJPEG
	Third stream: H.265/H.264
	*Third stream is supported under certain settings.
Video Bit Rate	32 Kbps to 8 Mbps
H.264 Type	Baseline Profile/Main Profile/High Profile
H.265 Type	Main Profile
Bit Rate Control	CBR/VBR
Scalable Video Coding (SVC)	H.264 and H.265 encoding
Region of Interest (ROI)	1 fixed region for main stream and sub-stream

Audio

Environment Noise Filtering	Yes
Audio Sampling Rate	8 kHz/16 kHz/32 kHz/44.1 kHz/48 kHz

Audio Compression	G.711ulaw/G.711alaw/G.722.1/G.726/MP2L2/PCM/MP3/AAC-LC
Audio Bit Rate	64 Kbps (G.711ulaw/G.711alaw)/16 Kbps (G.722.1)/16 Kbps (G.726)/32 to 192 Kbps (MP2L2)/8 to 320 Kbps (MP3)/16 to 64 Kbps (AAC-LC)
Network	
Simultaneous Live View	Up to 6 channels
API	Open Network Video Interface (Profile S, Profile G, Profile T), ISAPI, SDK, ISUP
Protocols	TCP/IP, ICMP, HTTP, HTTPS, FTP, DHCP, DNS, DDNS, RTP, RTSP, RTCP, NTP, UPnP, SMTP, IGMP, 802.1X, QoS, IPv4, IPv6, UDP, Bonjour, SSL/TLS, PPPoE, SNMP, ARP, WebSocket, WebSockets
User/Host	Up to 32 users 3 user levels: administrator, operator, and user
Security	Password protection, complicated password, HTTPS encryption, IP address filter, Security Audit Log, basic and digest authentication for HTTP/HTTPS, TLS 1.1/1.2, WSSE and digest authentication for Open Network Video Interface
Network Storage	NAS (NFS, SMB/CIFS), auto network replenishment (ANR) Together with high-end Hikvision memory card, memory card encryption and health detection are supported.
Client	IVMS-4200, Hik-Connect, Hik-Central Plug-in required live view: IE 10, IE 11,
Web Browser	Plug-in free live view: Chrome 57.0+, Firefox 52.0+, Edge 89+, Local service: Chrome 57.0+, Firefox 52.0+, Edge 89+
Image	
Wide Dynamic Range (WDR)	120 dB
SNR	≥ 52 dB
Privacy Mask	4 programmable polygon privacy masks
Day/Night Switch	Day, Night, Auto, Schedule
Image Enhancement	BLC, HLC, 3D DNR
Image Parameters Switch	Yes
Image Settings	Rotate mode, saturation, brightness, contrast, sharpness, gain, white balance adjustable by client software or web browser
Interface	
Alarm	1 input, 1 output (max. 24 VDC/24 VAC, 1 A) 1 input (line in), two-core terminal block, max. input amplitude: 3.3 Vpp, input impedance: 4.7 KΩ, interface type: non-equilibrium,
Audio	1 output (line out), two-core terminal block, max. output amplitude: 3.3 Vpp, output impedance: 100 Ω, interface type: non-equilibrium
On-Board Storage	Built-in memory card slot, support microSD/microSDHC/microSDXC card, up to 512 GB
Reset Key	Yes
Ethernet Interface	1 RJ45 10 M/100 M self-adaptive Ethernet port
Event	
Basic Event	Motion detection (support alarm triggering by specified target types (human and vehicle)), video tampering alarm, exception
Linkage	Upload to FTP/NAS/memory card, notify surveillance center, send email, trigger recording, trigger capture, audible warning
Smart Event	Scene change detection

Deep Learning Function

Face Capture	Yes
Perimeter Protection	Line crossing, intrusion, region entrance, region exiting Support alarm triggering by specified target types (human and vehicle)

General

Power	12 VDC ± 25%, 1.08 A, max. 13 W, Ø5.5 mm coaxial power plug, reverse polarity protection, PoE: IEEE 802.3at, Class 4, max. 15 W
Storage Conditions	-30 °C to 60 °C (-22 °F to 140 °F). Humidity 95% or less (non-condensing)
Startup and Operating Conditions	-30 °C to 60 °C (-22 °F to 140 °F). Humidity 95% or less (non-condensing)
Material	ADC12
Dimension	97.9 mm × 93 mm × 308.5 mm (3.9" × 3.7" × 12.1")
Package Dimension	385 mm × 190 mm × 180 mm (15.2" × 7.5" × 7.1")
Weight	Approx. 1355 g (3.0 lb.)
With Package Weight	Approx. 2011 g (4.4 lb.)
Language	33 languages: English, Russian, Estonian, Bulgarian, Hungarian, Greek, German, Italian, Czech, Slovak, French, Polish, Dutch, Portuguese, Spanish, Romanian, Danish, Swedish, Norwegian, Finnish, Croatian, Slovenian, Serbian, Turkish, Korean, Traditional Chinese, Thai, Vietnamese, Japanese, Latvian, Lithuanian, Portuguese (Brazil), Ukrainian
General Function	Heartbeat, mirror, flash log, password reset via email, pixel counter, anti-banding

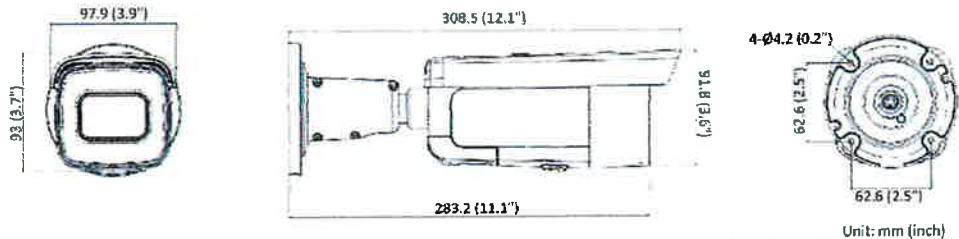
Approval

EMC	FCC (47 CFR Part 15, Subpart B); CE-EMC (EN 55032: 2015, EN 61000-3-2: 2014, EN 61000-3-3: 2013, EN 50130-4: 2011+ A1: 2014); RCM (AS/NZS CISPR 32: 2015); KC (KN 32: 2015, KN 35: 2015) UL (UL 60950-1);
Safety	CB (IEC 60950-1: 2005 + Am 1: 2009 + Am 2: 2013); CE-LVD (EN 60950-1: 2005 + Am 1: 2009 + Am 2: 2013); LOA (IEC/EN 60950-1)
Environment Protection	CE-RoHS (2011/65/EU); WEEE (2012/19/EU); Reach (Regulation (EC) No 1907/2006) IP67 (IEC 60529:2013), IK10 (IEC 62262:2002)

▪ **Available Model**

DS-2CD2646G2T-IZS(2.8-12mm)(C)

▪ **Dimension**



offitek
RNC 1-01-89393-
Sales Promotion R3

▪ **Accessory**

▪ **Optional**

DS-1275ZJ-SUS Vertical pole mount	DS-1276ZJ-SUS Corner mount	DS-1260ZJ Junction box	DS-1280ZJ-S Junction box	DS-1275ZJ-S-SUS Vertical pole mount
---	--------------------------------------	----------------------------------	------------------------------------	---



offitek
RNC 1-01-893931
Santo Domingo R.D.

Headquarters

No. 355 Qianmo Road, Binjiang District,
Hangzhou 310051, China
T: +86-571-8607 5893
www.hikvision.com



Follow us on social media to get the latest product and solution information.





Product Highlights

- Reliable, everyday computing
- Western Digital quality and reliability
- Free Acronis® True Image™ WD Edition cloning software
- Capacities up to 8TB¹
- Two-year limited warranty²

WD Blue® 3.5-inch PC HDD

WD Blue internal hard drives deliver solid reliability for office and web applications and are perfect for extra storage for desktop PCs and in-office applications.

NoTouch™ Ramp Load Technology

The recording head never touches the disk media, ensuring significantly less wear to the recording head and media as well as better drive protection in transit.

Low Power Consumption

State-of-the-art seeking algorithms and advanced power management features help ensure low power consumption.

Upgrading Your Drive Is Easy

Seamlessly migrate your current system to your new Western Digital drive using Acronis® True Image™ WD Edition software, available as a free download on the Western Digital Support site. This software enables you to copy all your data to a new drive so you don't have to reinstall your operating system to get all the benefits of a new drive.

The Western Digital Advantage

As an industry-leading hard drive manufacturer, Western Digital stands behind their PC storage solutions with a 2-year limited warranty² included with every WD Blue hard drive.

offitek
RNC 1-01-89393-0
SALES DOMINGO R. B.

Specifications

	8TB	8TB	6TB	6TB	4TB	4TB
Model Number²	WD80EAAZ	WD80EAZZ	WD60EZAX	WD60EZAZ	WD40EZAX	WD40EZAZ
Recording Technology³	CMR	CMR	CMR	SMR	CMR	SMR
Formatted capacity⁴	8TB	8TB	6TB	6TB	4TB	4TB
Form factor	3.5-inch	3.5-inch	3.5-inch	3.5-inch	3.5-inch	3.5-inch
Advanced Format (AF)	Yes	Yes	Yes	Yes	Yes	Yes
RoHS compliant⁵	Yes	Yes	Yes	Yes	Yes	Yes
Performance						
Interface speed (SATA)	6 Gb/s	6 Gb/s	6 Gb/s	6 Gb/s	6 Gb/s	6 Gb/s
Internal transfer rate⁶ (max)	215 MB/s	185 MB/s	180 MB/s	180 MB/s	180 MB/s	180 MB/s
Cache (MB)¹	256	128	256	256	256	256
RPM	5640	5640	5400	5400	5400	5400
Reliability/Data Integrity						
Load/unload cycles⁶	300,000	300,000	300,000	300,000	300,000	300,000
Non-recoverable read errors per bits read	<1 in 10 ¹⁴	<1 in 10 ¹⁴	<1 in 10 ¹⁴	<1 in 10 ¹⁴	<1 in 10 ¹⁴	<1 in 10 ¹⁴
Limited warranty (years)⁷	2	2	2	2	2	2
Power Management⁸						
Average power requirements (W)						
12VDC ±10% (A, peak)	1.75	1.75	1.75	1.75	1.75	1.75
Read/Write	5.2	6.2	4.7	4.8	4.7	4.8
Idle	3.4	4.1	3.1	3.1	3.1	3.1
Standby and Sleep	0.4	0.4	0.3	0.6	0.3	0.6
Environmental Specifications⁹						
Temperature (°C, on the base casting)						
Operating	0 to 60	0 to 60	0 to 60	0 to 60	0 to 60	0 to 60
Non-operating	-40 to 70	-40 to 70	-40 to 70	-40 to 70	-40 to 70	-40 to 70
Shock (Gs)						
Operating (2 ms, write)	70	70	70	30	70	30
Operating (2 ms, read)	70	70	70	65	70	65
Non-operating (2 ms)	250	250	250	250	250	250
Acoustics (dBA)¹⁰						
Idle	24	25	23	23	23	23
Seek (average)	28	30	27	27	25	27
Physical Dimensions						
Height (in./mm, max)	1.028/26.1	1.028/26.1	1.028/26.1	1.028/26.1	1.028/26.1	1.028/26.1
Length (in./mm, max)	5.787/147	5.787/147	5.787/147	5.787/147	5.787/147	5.787/147
Width (in./mm, ± .01 in.)	4/101.6	4/101.6	4/101.6	4/101.6	4/101.6	4/101.6
Weight (lb/kg, ± 3%)	1.58/0.715	1.65/0.75	1.26/0.57	1.26/0.57	1.26/0.57	1.26/0.57

Specifications subject to change without notice.

¹1MB = 1 million bytes, 1GB = 1 billion bytes, and 1TB = 1 trillion bytes. Actual user capacity may be less depending on operating environment.

²Not all products may be available in all regions of the world.

³Implementation of SMR for the following products using SMR recording technology is device-managed SMR.

⁴This hard drive product meets or exceeds Restriction of Hazardous Substances (RoHS) compliance requirements as mandated by the RoHS Directive 2011/65/EU and Directive (EU) 2015/863.

⁵1 MB/s = 1 million bytes per second. Based on internal testing; performance may vary depending upon host device, usage conditions, drive capacity, and other factors.

⁶Controlled unload at ambient condition.

⁷See support.wdc.com/warranty for regional specific warranty details.

⁸Power measurements at room-ambient temperature.

⁹No non-recoverable errors during operating tests or after non-operating tests.

¹⁰Sound power level.

offitek
 INC 1-01-89893
 San Antonio, TX

WD Blue® 3.5-inch PC HDD

PRODUCT BRIEF

3.5-INCH PC HARD DRIVE

Specifications

	3TB	3TB	2TB	2TB	2TB
Model Number²	WD30EZAX	WD30EZAZ	WD20EARZ	WD20EZBX	WD20EZAZ
Recording Technology³	CMR	SMR	CMR	SMR	SMR
Formatted capacity¹	3TB	3TB	2TB	2TB	2TB
Form factor	3.5-inch	3.5-inch	3.5-inch	3.5-inch	3.5-inch
Advanced Format (AF)	Yes	Yes	Yes	Yes	Yes
RoHS compliant⁴	Yes	Yes	Yes	Yes	Yes
Performance					
Interface speed (SATA)	6 Gb/s	6 Gb/s	6 Gb/s	6 Gb/s	6 Gb/s
Internal transfer rate ⁵ (max)	180 MB/s	180 MB/s	180 MB/s	215 MB/s	180 MB/s
Cache (MB) ¹	256	256	64	256	256
RPM	5400	5400	5400	7200	5400
Reliability/Data Integrity					
Load/unload cycles ⁶	300,000	300,000	300,000	300,000	300,000
Non-recoverable read errors per bits read	<1 in 10 ¹⁴	<1 in 10 ¹⁴	<1 in 10 ¹⁴	<1 in 10 ¹⁴	<1 in 10 ¹⁴
Limited warranty (years) ⁷	2	2	2	2	2
Power Management⁸					
Average power requirements (W)					
12VDC ±10% (A, peak)	1.75	1.75	1.2	1.75	1.31
Read/Write	4.7	4.8	4.0	5.6	4.1
Idle	3.1	3.1	2.4	3.7	2.3
Standby and Sleep	0.3	0.6	0.3	0.4	0.6
Environmental Specifications⁹					
Temperature (°C, on the base casting)					
Operating	0 to 60	0 to 60	0 to 60	0 to 60	0 to 60
Non-operating	-40 to 70	-40 to 70	-40 to 70	-40 to 70	-40 to 70
Shock (Gs)					
Operating (2 ms, write)	70	30	70	30	30
Operating (2 ms, read)	70	65	70	65	65
Non-operating (2 ms)	250	250	300	350	350
Acoustics (dBA) ¹⁰					
Idle	23	23	21	25	21
Seek (average)	25	27	26	27	26
Physical Dimensions					
Height (in./mm, max)	1.028/26.1	1.028/26.1	1.028/26.1	1.028/26.1	1.028/26.1
Length (in./mm, max)	5.787/147	5.787/147	5.787/147	5.787/147	5.787/147
Width (in./mm, ± .01 in.)	4/101.6	4/101.6	4/101.6	4/101.6	4/101.6
Weight (lb/kg, ± 3%)	1.26/0.57	1.26/0.57	0.99/0.45	0.99/0.45	0.99/0.45

Specifications subject to change without notice.

¹ 1MB = 1 million bytes, 1GB = 1 billion bytes, and 1TB = 1 trillion bytes. Actual user capacity may be less depending on operating environment.

² Not all products may be available in all regions of the world.

³ Implementation of SMR for the following products using SMR recording technology is device-managed SMR.

⁴ This hard drive product meets or exceeds Restriction of Hazardous Substances (RoHS) compliance requirements as mandated by the RoHS Directive 2011/65/EU and Directive (EU) 2015/863.

⁵ 1 MB/s = 1 million bytes per second. Based on internal testing; performance may vary depending upon host device, usage conditions, drive capacity, and other factors.

⁶ Controlled unload at ambient condition.

⁷ See support.wdc.com/warranty for regional specific warranty details.

⁸ Power measurements at room-ambient temperature.

⁹ No non-recoverable errors during operating tests or after non-operating tests.

¹⁰ Sound power level.

offitek
 RNC 10189303-0
 Alan Dominguez R. 3

Specifications

	1TB	1TB	1TB	500GB	500GB
Model Number²	WD10EARZ	WD10EZRZ	WD10EZEX	WDS000AZRZ	WDS000AZLX
Recording Technology ³	CMR	CMR	CMR	CMR	CMR
Formatted capacity ¹	1TB	1TB	1TB	500GB	500GB
Form factor	3.5-inch	3.5-inch	3.5-inch	3.5-inch	3.5-inch
Advanced Format (AF)	Yes	Yes	Yes	Yes	Yes
RoHS compliant ⁴	Yes	Yes	Yes	Yes	Yes
Performance					
Interface speed (SATA)	6 Gb/s	6 Gb/s	6 Gb/s	6 Gb/s	6 Gb/s
Internal transfer rate ⁵ (max)	180 MB/s	150 MB/s	150 MB/s	150 MB/s	150 MB/s
Cache (MB) ¹	64	64	64	64	32
RPM	5400	5400	7200	5400	7200
Reliability/Data Integrity					
Load/unload cycles ⁶	300,000	300,000	300,000	300,000	300,000
Non-recoverable read errors per bits read	<1 in 10 ¹⁴	<1 in 10 ¹⁴	<1 in 10 ¹⁴	<1 in 10 ¹⁴	<1 in 10 ¹⁴
Limited warranty (years) ⁷	2	2	2	2	2
Power Management⁸					
Average power requirements (W)					
12VDC ±10% (A, peak)	1.2	1.2	2.5	1.2	1.77
Read/Write	4.0	3.3	6.8	3.3	6.8
Idle	2.4	2.5	6.1	2.5	6.1
Standby and Sleep	0.3	0.4	1.2	0.4	1.2
Environmental Specifications⁹					
Temperature (°C, on the base casting)					
Operating	0 to 60	0 to 60	0 to 60	0 to 60	0 to 60
Non-operating	-40 to 70	-40 to 70	-40 to 70	-40 to 70	-40 to 70
Shock (Gs)					
Operating (2 ms, write)	70	30	30	30	30
Operating (2 ms, read)	70	65	65	65	65
Non-operating (2 ms)	300	350	350	350	350
Acoustics (dBA) ¹⁰					
Idle	21	21	29	21	29
Seek (average)	26	24	30	22	30
Physical Dimensions					
Height (in./mm, max)	1.028/26.1	1.028/26.1	1.028/26.1	1.028/26.1	1.028/26.1
Length (in./mm, max)	5.787/147	5.787/147	5.787/147	5.787/147	5.787/147
Width (in./mm, ± .01 in.)	4/101.6	4/101.6	4/101.6	4/101.6	4/101.6
Weight (lb/kg, ± 3%)	0.99/0.45	0.99/0.45	0.99/0.45	0.99/0.45	0.99/0.45

Specifications subject to change without notice.

¹1MB = 1 million bytes, 1GB = 1 billion bytes, and 1TB = 1 trillion bytes. Actual user capacity may be less depending on operating environment.

²Not all products may be available in all regions of the world.

³Implementation of SMR for the following products using SMR recording technology is device-managed SMR.

⁴This hard drive product meets or exceeds Restriction of Hazardous Substances (RoHS) compliance requirements as mandated by the RoHS Directive 2011/65/EU and Directive (EU) 2015/863.

⁵1 MB/s = 1 million bytes per second. Based on internal testing; performance may vary depending upon host device, usage conditions, drive capacity, and other factors.

⁶Controlled unload at ambient condition.

⁷See support.wdc.com/warranty for regional specific warranty details.

⁸Power measurements at room-ambient temperature.

⁹No non-recoverable errors during operating tests or after non-operating tests.

¹⁰Sound power level.



5601 Great Oaks Parkway
San Jose, CA 95119, USA
www.westerndigital.com

© 2023 Western Digital, the Western Digital design, the Western Digital logo, NoTouch and WD Blue are registered trademarks or trademarks of Western Digital Corporation or its affiliates in the U.S. and/or other countries. Acronis and True Image are registered trademarks or trademarks of Acronis International GmbH and/or its affiliates in the United States and other countries. All other marks are the property of their respective owners. Product specifications subject to change without notice. Pictures shown may vary from actual products.

offitek
RNO-1-01-893921
Sales/Marketing/60121

Cisco Catalyst 1300 Series Switches

offitek
RNC 1-01-893921
Santiago Domingo R3

Contents

Critical building block for any small to medium-sized office network	3
Cisco Catalyst 1300 Series switches	3
Business applications	4
Features and benefits	4
Product specifications	7
Ordering information	28
Accessories	30
Product sustainability	31
Cisco Capital	31
For more information	31
Document history	32

offitek
RNC 1-01-89398-
Santo Domingo

Critical building block for any small to medium-sized office network

From connectivity to cloud applications, networking plays a crucial role in every business journey. Reliability, security, and affordability continue to be top of mind, while ongoing management and operations add complexity that takes time and resources.

The Cisco Catalyst™ 1300 Series Switches are affordable, simple-to-use switches designed and built for small and medium-sized businesses. Managed through the Cisco® Business Dashboard and Cisco Business mobile app, the switch portfolio provides a simple and reliable experience.



Figure 1.
Cisco Business Dashboard and Cisco Business mobile app

Cisco Catalyst 1300 Series switches

The Cisco Catalyst 1300 Series Switches are fixed, managed, enterprise-class Gigabit Ethernet Layer 3 switches designed for small and medium-sized business and branch offices. These simple, flexible, and secure switches are ideal for deployment out of the wiring closet. The Catalyst 1300 Series operates on customized Linux OS software, with an intuitive dashboard that simplifies network setup and advanced features that accelerate digital transformation, while pervasive security protects business-critical transactions. The 1300 Series switches provide the ideal combination of affordability and capabilities for small and medium-sized businesses and help you create a more efficient, better-connected workforce. When your business needs advanced networking features and security for the digital transformation, yet value is still a top consideration, you're ready for the Cisco Catalyst 1300 Series Switches.



offitek
RNC 1-80398-1
Ryomingo

Figure 2.
Cisco Catalyst 1300 Series switches

Business applications

Whether you need a basic high-performance network to connect employee computers or a solution to deliver data, voice, and video services, the Cisco Catalyst 1300 Series Switches offer a solution to meet your needs.

Possible deployment scenarios include:

- **Secure office connectivity:** The 1300 Series switches can simply and securely connect employees working in small offices with each other and with all of the servers, printers, and other networking devices they use. High performance and reliable connectivity help speed file transfers and data processing, improve network uptime, and keep your employees connected and productive.
- **Unified communications:** As a managed network solution, the 1300 Series switches provide the performance and advanced traffic-handling intelligence you need to deliver all communications and data over a single network. Cisco offers a complete portfolio of IP telephony and other unified communications products designed for businesses. The 1300 Series switches have been rigorously tested to help ensure easy integration and full compatibility with these and other products, providing a complete business solution.
- **Highly secure guest connectivity:** The 1300 Series switches let you extend highly secure network connectivity to guests in a variety of settings, such as a hotel, an office waiting room, or any other area open to nonemployee users. Using powerful but easy-to-configure security and traffic segmentation capabilities, you can isolate your vital business traffic from guest services and keep guests' network sessions private from each other.

Features and benefits

The Cisco Catalyst 1300 Series Switches provide the advanced feature set that growing businesses require and that high-bandwidth applications and technologies demand. They provide the following benefits.

Ease of management and deployment

The 1300 Series switches are designed to be easy to use and manage by commercial customers or the partners that serve them, including the following features:

- The Cisco Business Dashboard is designed to manage Cisco Business switches, Cisco Catalyst 1200 and 1300 Series switches, routers, and wireless access points. It simplifies traditional challenges in deploying and managing business networks while automating the deployment, monitoring, and lifecycle management of the network. The 1300 Series switches support an embedded probe as well as direct management, eliminating the need to set up a separate hardware or virtual machine onsite. The device onboarding wizard simplifies the setup and onboarding of new devices to the network. For more information, visit <https://www.cisco.com/go/cbd>.
- The Cisco Network Plug and Play solution provides a simple, secure, unified, and integrated offering to ease new device rollouts or for provisioning updates to an existing network. The solution provides a unified approach to provisioning Cisco routers, switches, and wireless devices with a near-zero-touch deployment experience.
- The intuitive user interfaces reduce the time required to deploy, troubleshoot, and manage the network and allow you to support sophisticated capabilities without increasing IT head count.
- The switches also support text view, a full Command-Line Interface (CLI) option for partners that prefer it.

offitek
RNG-1-01-883921
Santia...

- Support for Simple Network Management Protocol (SNMP) allows you to set up and manage your switches and other Cisco devices remotely from a network management station, improving IT workflow and mass configurations.
- The switches support an external Bluetooth dongle that plugs into the USB port on the switch and allows a Bluetooth-based RF connection with external laptops and tablets (Figure 2). Laptops and tablets can access the switch CLI using a Telnet or Secure Shell (SSH) client over Bluetooth. The GUI can be accessed over Bluetooth with a browser.

High reliability and resiliency

In a growing business where availability 24 hours a day, 7 days a week is critical, you need to provide business continuity and ensure that employees can always access the data and resources they need. The Cisco Catalyst 1300 Series Switches support dual images, allowing you to perform software upgrades with minimal network downtime.

Strong security

The Cisco Catalyst 1300 Series Switches provide the advanced security features you need to protect your business data and keep unauthorized users off the network:

- Support for advanced network security applications such as IEEE 802.1X and port security tightly limits access to specific segments of your network. Web-based authentication provides a consistent interface to authenticate all types of host devices and operating systems, without the complexity of deploying 802.1X clients on each endpoint.
- Advanced defense mechanisms, including dynamic Address Resolution Protocol (ARP) inspection, IP Source Guard, and Dynamic Host Configuration Protocol (DHCP) snooping, detect and block deliberate network attacks. Combinations of these protocols are also referred to as IP/MAC/port binding (IPMB).
- IPv6 First Hop Security extends advanced threat protection to IPv6. This comprehensive security suite includes Neighbor Discovery (ND) inspection, Router Advertisement (RA) guard, DHCPv6 guard, and neighbor binding integrity check, providing unparalleled protection against a vast range of address spoofing and man-in-the-middle attacks on IPv6 networks.

Power over Ethernet

The Cisco Catalyst 1300 Series Switches are available with up to 48 Power over Ethernet (PoE) ports. This capability simplifies advanced technology deployments such as IP telephony, wireless, and IP surveillance by allowing you to connect and power network endpoints over a single Ethernet cable. With no need to install separate power supplies for IP phones or wireless access points, you can take advantage of advanced communication technologies more quickly and at a lower cost. Models support 802.3af PoE and 802.3at PoE+.

IPv6 support

As the IP address scheme evolves to accommodate a growing number of network devices, the Cisco Catalyst 1300 Series Switches can support the transition to the next generation of networking. These switches continue to support previous-generation IPv4, allowing you to evolve to the new IPv6 standard at your own pace and helping ensure that your current network will continue to support your business applications in the future.

offitek
RNC 1-01-89393
SARAH PRATT
RNC

Advanced Layer 3 traffic management

The Cisco Catalyst 1300 Series Switches enable a more advanced set of traffic management capabilities to help growing businesses organize their networks more effectively and efficiently. For example, the switches provide dynamic Layer 3 routing, allowing you to segment your network into workgroups and communicate across VLANs without degrading application performance.

With these capabilities, you can boost the efficiency of your network by offloading internal traffic-handling tasks from your router and allowing it to manage primarily external traffic and security.

True stacking

The Cisco Catalyst 1300 Series Switches provide true stacking capability for up to eight switches, allowing you to configure, manage, and troubleshoot all switches in a stack as a single unit with a single IP address.

A true stack delivers a unified data and control plane, in addition to the management plane, providing flexibility, scalability, and ease of use because the stack of units operates as a single entity constituting all the ports of the stack members. This capability can radically reduce complexity in a growing network environment while improving the resiliency and availability of network applications. True stacking also provides other cost savings and administrative benefits through features such as cross-stack Quality of Service (QoS), VLANs, Link Aggregation (LAG), and port mirroring, which clustered switches cannot support.

Compact design

The sleek and compact design for the Cisco Catalyst 1300 Series Switches provides additional deployment flexibility, including installation outside the wiring closet for sites such as retail stores, open-plan offices, and classrooms without disturbing the environment.

Power efficiency

The Cisco Catalyst 1300 Series Switches integrate a variety of power-saving features across all models, providing the industry's most extensive energy-efficient switching portfolio. These switches are designed to conserve energy by optimizing power use, which helps protect the environment and reduce your energy costs. They provide an eco-friendly network solution without compromising performance. The switches feature:

- Support for the Energy Efficient Ethernet (IEEE 802.3az) standard, which reduces energy consumption by monitoring the amount of traffic on an active link and putting the link into a sleep state during quiet periods.
- Automatic power shutoff on ports when a link is down.
- Embedded intelligence to adjust signal strength based on the length of the connecting cable.
- Fanless design in most models, which reduces power consumption, increases reliability, and provides quieter operation.

Peace of mind and investment protection

The Cisco Catalyst 1300 Series Switches offer the reliable performance and peace of mind you expect from a Cisco switch. They have been rigorously tested to help ensure optimal network uptime and provide business continuity. Complimentary one-year access to our Small Business Support Center for ongoing support and a limited lifetime warranty with Return-To-Factory (RTF) replacement help keep your business running smoothly.

offitek
RNC 1-888-893-9330
Sally P. [Signature]

Product specifications

Table 1 gives the product specifications for the Cisco Catalyst 1300 Series Switches.

Table 1. Product specifications

Feature	Description		
Performance			
Switching capacity and forwarding rate	Model	Capacity in Millions of Packets Per Second (mpps) (64-byte packets)	Switching capacity in Gigabits per second (Gbps)
All switches are wire speed and nonblocking			
	C1300-8FP-2G	14.88	20.0
	C1300-8T-E-2G	14.88	20.0
	C1300-8P-E-2G	14.88	20.0
	C1300-16T-2G	26.78	36.0
	C1300-16P-2G	26.78	36.0
	C1300-16FP-2G	26.78	36.0
	C1300-24T-4G	41.66	56.0
	C1300-24P-4G	41.66	56.0
	C1300-24FP-4G	41.66	56.0
	C1300-48T-4G	77.38	104.0
	C1300-48P-4G	77.38	104.0
	C1300-48FP-4G	77.38	104.0
	C1300-16P-4X	83.32	112.0
	C1300-24T-4X	95.23	128.0
	C1300-24P-4X	95.23	128.0
	C1300-24FP-4X	95.23	128.0
	C1300-48T-4X	130.94	176.0
	C1300-48P-4X	130.94	176.0
	C1300-8MGP-2X	41.66	56
	C1300-24MGP-4X	113.08	152
	C1300-48MGP-4X	166.65	224
	C1300-12XT-2X	208.33	280

offitek
 RNC 101-89393-
 Samy

Feature	Description		
	C1300-12XS	178.57	240
	C1300-16XTS	238.1	320
	C1300-24XS	357.14	480
	C1300-24XT	357.14	480
	C1300-24XTS	357.12	480

Layer 2 switching

Spanning Tree Protocol

Standard 802.1d Spanning Tree support

Fast convergence using 802.1w (Rapid Spanning Tree [RSTP]), enabled by default
Multiple Spanning Tree instances using 802.1s (MSTP); 8 instances are supported

Per-VLAN Spanning Tree Plus (PVST+) and Rapid PVST+ (RPVST+); 126 instances are supported

Port grouping/link aggregation

- Support for IEEE 802.3ad Link Aggregation Control Protocol (LACP)
- Up to 8 groups
- Up to 8 ports per group with 16 candidate ports for each (dynamic) 802.3ad link aggregation

VLAN

Support for up to 4093 VLANs simultaneously

Port-based and 802.1Q tag-based VLANs, MAC-based VLAN, protocol-based VLAN, IP subnet-based VLAN

Management VLAN

Private VLAN with promiscuous, isolated, and community port

Private VLAN Edge (PVE), also known as protected ports, with multiple uplinks Guest VLAN, unauthenticated VLAN

Dynamic VLAN assignment via RADIUS server along with 802.1X client authentication
Customer premises equipment (CPE) VLAN

Auto surveillance VLAN (ASV)

Voice VLAN

Voice traffic is automatically assigned to a voice-specific VLAN and treated with appropriate levels of QoS. Voice Services Discovery Protocol (VSDP) delivers networkwide zero-touch deployment of voice endpoints and call control devices

Multicast TV VLAN

Multicast TV VLAN allows the single multicast VLAN to be shared in the network while subscribers remain in separate VLANs. This feature is also known as Multicast VLAN Registration (MVR)

VLAN translation

Support for VLAN one-to-one mapping, in which customer VLANs (C-VLANs) on an edge interface are mapped to service provider VLANs (S-VLANs), and the original C-VLAN tags are replaced by the specified S-VLAN

Q-in-Q

VLANs transparently cross a service provider network while isolating traffic among customers

offitek
RNC 1-01-803931
SAP 01/11/2023

Feature	Description
Selective Q-in-Q	<p>Selective Q-in-Q is an enhancement to the basic Q-in-Q feature and provides, per edge interface, multiple mappings of different C-VLANs to separate S-VLANs</p> <p>Selective Q-in-Q also allows configuring of the Ethertype (Tag Protocol Identifier [TPID]) of the S-VLAN tag</p> <p>Layer 2 protocol tunneling over Q-in-Q is also supported</p>
Generic VLAN Registration Protocol (GVRP)/Generic Attribute Registration Protocol (GARP)	GVRP and GARP enable automatic propagation and configuration of VLANs in a bridged domain
Unidirectional Link Detection (UDLD)	UDLD monitors physical connections to detect unidirectional links caused by incorrect wiring or cable/port faults to prevent forwarding loops and blackholing of traffic in switched networks
DHCP relay at Layer 2	Relay of DHCP traffic to a DHCP server in a different VLAN; works with DHCP Option 82
Internet Group Management Protocol (IGMP) versions 1, 2, and 3 snooping	IGMP limits bandwidth-intensive multicast traffic to only the requesters; it supports 2000 multicast groups (source-specific multicasting is also supported)
IGMP querier	IGMP querier is used to support a Layer 2 multicast domain of snooping switches in the absence of a multicast router
IGMP proxy	The IGMP proxy provides a mechanism for multicast forwarding based on IGMP membership information without the need for more complicated multicast routing protocols
Head-of-Line (HOL) blocking	HOL blocking prevention
Loopback detection	Loopback detection provides protection against loops by transmitting loop protocol packets out of ports on which loop protection has been enabled. It operates independently of STP
Layer 3	
IPv4 routing	<p>Wire-speed routing of IPv4 packets</p> <p>Up to 990 static routes and up to 128 IP interfaces</p>
IPv6 routing	Wire-speed routing of IPv6 packets
Layer 3 interface	Configuration of a Layer 3 interface on a physical port, LAG, VLAN interface, or loopback interface
Classless Interdomain Routing (CIDR)	Support for CIDR
Routing Information Protocol (RIP) v2	Support for RIP v2 for dynamic routing
Policy-Based Routing (PBR)	Flexible routing control to direct packets to a different next hop based on an IPv4 or IPv6 Access Control List (ACL)

offitek
RNC 101-89893
SABIA DOMINGO R

Feature	Description
DHCP server	Switch functions as an IPv4 DHCP server, serving IP addresses for multiple DHCP pools or scopes Support for DHCP options
DHCP relay at Layer 3	Relay of DHCP traffic across IP domains
User Datagram Protocol (UDP) relay	Relay of broadcast information across Layer 3 domains for application discovery or relaying of Bootstrap Protocol (BOOTP)/DHCP packets
Stacking	
Hardware stacking	Up to 8 switches in a stack. Up to 200 ports managed as a single system with hardware failover Stacking is supported on the following models: C1300-16P-4X, C1300-24T-4X, C1300-24P-4X, C1300-24FP-4X, C1300-48T-4X, C1300-48P-4X, C1300-48FP-4X
High availability	Fast stack failover delivers minimal traffic loss. Support for LAG across multiple units in a stack
Plug-and-play stacking configuration/management	Active/standby for resilient stack control Auto-numbering Hot swap of units in stack Ring and chain stacking options, auto stacking port speed, flexible stacking port options
High-speed stack interconnects	Cost-effective high-speed 10 Gigabit Ethernet fiber interfaces
Security	
Secure Shell (SSH) Protocol	SSH is a secure replacement for Telnet traffic. Secure Copy Protocol (SCP) also uses SSH. SSH v1 and v2 are supported
Secure Sockets Layer (SSL)	SSL support: Encrypts all HTTPS traffic, allowing highly secure access to the browser-based management GUI in the switch
IEEE 802.1X (authenticator role)	802.1X: RADIUS authentication and accounting, MD5 hash, guest VLAN, unauthenticated VLAN, single/multiple host mode, and single/multiple sessions Supports time-based 802.1X, dynamic VLAN assignment, and MAC authentication
IEEE 802.1X supplicant	A switch can be configured to act as a supplicant to another switch. This enables extended secure access in areas outside the wiring closet (such as conference rooms)
Web-based authentication	Web-based authentication provides network admission control through a web browser to any host devices and operating systems
STP Bridge Protocol Data Unit (BPDU) Guard	A security mechanism to protect the network from invalid configurations. A port enabled for BPDU Guard is shut down if a BPDU message is received on that port. This avoids accidental topology loops
STP Root Guard	Prevents edge devices not in the network administrator's control from becoming STP root nodes
STP loopback guard	Provides additional protection against Layer 2 forwarding loops (STP loops)

Feature	Description
Quality of service	
Priority levels	8 hardware queues
Scheduling	Strict priority and Weighted Round-Robin (WRR)
Class of service	Port-based, 802.1p VLAN priority-based, IPv4/IPv6 IP precedence/Type of Service (ToS)/DSCP-based, Differentiated Services (DiffServ), classification and remarking ACLs, trusted QoS Queue assignment based on DSCP and Class of Service (802.1p/CoS)
Rate limiting	Ingress policer; egress shaping and rate control per VLAN, per port, and flow based; dual-rate 3-color (2R3C) policing
Congestion avoidance	A TCP congestion avoidance algorithm is required to minimize and prevent global TCP loss synchronization
iSCSI traffic optimization	A mechanism for giving priority to iSCSI traffic over other types of traffic
Standards	
Standards	IEEE 802.3 10BASE-T Ethernet, IEEE 802.3u 100BASE-TX Fast Ethernet, IEEE 802.3ab 1000BASE-T Gigabit Ethernet, IEEE 802.3ad Link Aggregation Control Protocol, IEEE 802.3z Gigabit Ethernet, IEEE 802.3ae 10 Gbps Ethernet over fiber for LAN, IEEE 802.3an 10GBASE-T 10 Gbps Ethernet over copper twisted pair cable, IEEE 802.3x Flow Control, IEEE 802.1D (STP, GARP, and GVRP), IEEE 802.1Q/p VLAN, IEEE 802.1w Rapid STP, IEEE 802.1s Multiple STP, IEEE 802.1X Port Access Authentication, IEEE 802.3af, IEEE 802.3at, IEEE 802.1AB Link Layer Discovery Protocol, IEEE 802.3az Energy Efficient Ethernet, RFC 768, RFC 783, RFC 791, RFC 792, RFC 793, RFC 813, RFC 826, RFC 879, RFC 896, RFC 854, RFC 855, RFC 856, RFC 858, RFC 894, RFC 919, RFC 920, RFC 922, RFC 950, RFC 951, RFC 1042, RFC 1071, RFC 1123, RFC 1141, RFC 1155, RFC 1157, RFC 1213, RFC 1215, RFC 1286, RFC 1350, RFC 1442, RFC 1451, RFC 1493, RFC 1533, RFC 1541, RFC 1542, RFC 1573, RFC 1624, RFC 1643, RFC 1700, RFC 1757, RFC 1867, RFC 1907, RFC 2011, RFC 2012, RFC 2013, RFC 2030, RFC 2131, RFC 2132, RFC 2233, RFC 2576, RFC 2616, RFC 2618, RFC 2665, RFC 2666, RFC 2674, RFC 2737, RFC 2819, RFC 2863, RFC 3164, RFC 3176, RFC 3411, RFC 3412, RFC 3413, RFC 3414, RFC 3415, RFC 3416, RFC 4330
IPv6	
IPv6	IPv6 host mode, IPv6 over Ethernet, dual IPv6/IPv4 stack IPv6 neighbor and router discovery (ND), IPv6 stateless address auto-configuration, path Maximum Transmission Unit (MTU) discovery Duplicate Address Detection (DAD), ICMP version 6 DHCPv6 stateful client IPv6 over IPv4 network with Intrasite Automatic Tunnel Addressing Protocol (ISATAP) tunnel support
IPv6 QoS	Prioritize IPv6 packets in hardware

offitek
 RNC 1-01-80393-1
 Santo Domingo, R.D.



The bridge to possible

Ficha técnica
Información pública de Cisco

Switches administrados Cisco Business serie 350

offitek
RNC 1-0189393
Calle Domingo R. 3

Contenidos

Switches Cisco Business serie 350	3
Aplicaciones empresariales	4
Características y beneficios	4
Especificaciones del producto	7
Información para realizar pedidos	28
Sostenibilidad ambiental de Cisco	31
Cisco Capital	31
Más información	31



Componente fundamental para cualquier red de oficina pequeña

Para estar un paso adelante en un mercado competitivo, las empresas necesitan sacarle todo el provecho posible a su dinero. Esto significa obtener el máximo valor de sus inversiones tecnológicas, pero también asegurarse de que los empleados posean un acceso rápido y confiable a la información y a las herramientas comerciales que necesitan. Cada minuto que un empleado espera a que responda una aplicación y cada minuto que la red está caída influyen en sus ingresos. La importancia de mantener una red empresarial sólida y confiable se vuelve mayor a medida que la empresa agrega empleados, aplicaciones y complejidad a la red.

Si su empresa necesita funciones y seguridad de redes avanzadas para su transformación digital, pero el precio sigue siendo la prioridad, está preparado para la nueva generación de switches administrados: los switches Cisco® Small Business serie 350 (Figura 1).



Figura 1.
Switches administrados Cisco Business serie 350

Switches Cisco Business serie 350

Los switches Cisco Business serie 350, parte de la línea de soluciones de redes Cisco Business, son un portafolio de switches administrados asequibles que brindan un componente fundamental para cualquier red de oficina pequeña. El tablero intuitivo simplifica la configuración de la red y las funciones avanzadas aceleran la transformación digital, mientras que la seguridad generalizada protege las transacciones críticas del negocio. Los switches Cisco Business serie 350 ofrecen la combinación ideal de asequibilidad y funciones para oficinas pequeñas y le permite crear una fuerza laboral más eficaz y mejor conectada.

Los switches Cisco Business serie 350 constituyen un amplio portafolio de switches Ethernet administrados de configuración fija. Comprende modelos de 8 a 48 puertos con conectividad Gigabit Ethernet y uplinks 10-Gigabit, que brindan un nivel óptimo de flexibilidad para crear precisamente la base adecuada para redes de oficinas pequeñas. Sin embargo, a diferencia de otras soluciones de switching para empresas en crecimiento con funciones de red administradas solo en los modelos más costosos, todos los switches Cisco Business serie 350 admiten las funciones de red y de administración de seguridad avanzadas que usted necesita para utilizar las tecnologías de datos, voz, seguridad y conectividad inalámbrica de clase empresarial. A la vez, estos switches son fáciles de instalar y configurar, lo que permite aprovechar los servicios de red administrados que la empresa necesita.



Aplicaciones empresariales

Ya sea que necesite una red básica de alto rendimiento para conectar las computadoras de los empleados o una solución para brindar servicios de datos, voz y video, los switches Cisco Business serie 350 ofrecen una solución que atiende sus necesidades. Entre las posibles situaciones de implementación, podemos mencionar:

- **Redes de oficinas pequeñas:** la versatilidad y la asequibilidad de los switches Cisco Business serie 350 proporcionan una base ideal de redes de clase empresarial para oficinas pequeñas con soporte y presupuesto de TI limitados.
- **Conectividad de escritorio segura:** los switches Cisco Business serie 350 pueden conectar, de manera simple y segura, a los empleados que trabajan en pequeñas oficinas entre sí y con todos los servidores, las impresoras y otros dispositivos que utilicen. La conectividad confiable de alto rendimiento acelera la transferencia de archivos y el procesamiento de datos, aumenta el tiempo de actividad de la red y mantiene a los empleados conectados y productivos.
- **Comunicaciones unificadas:** como solución de red administrada, los switches Cisco Business serie 350 ofrecen el rendimiento y la inteligencia de manejo de tráfico que usted necesita para ofrecer todas las comunicaciones y los datos a través de una sola red. Cisco ofrece una cartera completa de telefonía IP y otros productos de comunicaciones unificadas diseñados para empresas. Los switches Cisco Business serie 350 se sometieron a rigurosas pruebas para garantizar su fácil integración y compatibilidad total con estos y otros productos, y dan lugar a una solución empresarial integral.
- **Conectividad sumamente segura de usuarios temporales.** Los switches Cisco de la serie 350 le permiten extender la conectividad de red sumamente segura a los usuarios temporales en diversos entornos, como un hotel, la sala de espera de una oficina u otras áreas abiertas a usuarios que no son empleados. Mediante el uso de funciones de seguridad y segmentación de tráfico potentes pero fáciles de configurar, podrá aislar el tráfico vital de su empresa de los servicios para usuarios temporales y, de esa manera, mantener la privacidad de las sesiones de red de estos usuarios entre sí.

Características y beneficios

Los switches Cisco Business serie 350 proporcionan el conjunto de características avanzadas que necesitan las empresas en crecimiento y que exigen las aplicaciones y tecnologías con alto consumo de ancho de banda. Estos switches pueden mejorar la disponibilidad de las aplicaciones cruciales, proteger la información de la empresa y optimizar el ancho de banda de la red para transmitir la información y dar soporte a aplicaciones de manera más eficiente. Los switches proporcionan los siguientes beneficios:

Facilidad de implementación y administración

Los switches Cisco Business serie 350 están diseñados para que sean fáciles de usar y administrar por parte de clientes o para los partners que ofrecen el servicio, que incluye las siguientes funciones:

- Cisco Business Dashboard está diseñado para administrar switches, routers y puntos de acceso inalámbricos Cisco Business. Cisco Business Dashboard simplifica los desafíos tradicionales de la implementación y administración de redes empresariales mientras automatiza la implementación, la supervisión y la administración del ciclo de vida de la red. Los switches Cisco Business serie 350 son compatibles con la sonda de red FindIT integrada, lo que elimina la necesidad de configurar hardware o una máquina virtual por separado in situ. Para obtener más información, visite <https://www.cisco.com/go/cbd>



- Las interfaces de usuario disminuyen el tiempo necesario para la implementación, la solución de problemas y la administración de la red y permiten respaldar funcionalidades sofisticadas sin aumentar la cantidad de personal de TI.
- Los switches además son compatibles con Textview, una opción de interfaz de línea de comandos (command-line interface, CLI) completa para los partners que la prefieran.
- La compatibilidad con el protocolo simple de administración de redes (SNMP) le permite configurar y administrar switches y otros dispositivos de Cisco de manera remota desde una estación de administración de redes, lo que permite que mejoren el flujo de TI y las configuraciones masivas.

Gran confiabilidad y capacidad de recuperación

En una empresa en crecimiento, donde la disponibilidad a toda hora es fundamental, debe asegurarse la continuidad del negocio y que los empleados puedan acceder siempre a los datos y recursos que necesitan. Los switches Cisco Business serie 350 también admiten imágenes duales, lo cual le permite realizar actualizaciones del software sin tener que desactivar la red o preocuparse porque la red queda inactiva durante la actualización.

Poderoso sistema de seguridad

Los switches Cisco Business serie 350 proporcionan las características de seguridad avanzada que necesita para proteger sus datos empresariales y mantener a los usuarios no autorizados fuera de la red:

- El cifrado integrado por capa de sockets seguros (SSL) protege los datos de administración que entran y salen del switch.
- Admiten aplicaciones de seguridad de la red avanzada, como la seguridad de puertos IEEE 802.1X, para limitar el acceso a determinados segmentos de la red. La autenticación web proporciona una interfaz uniforme para autenticar todos los tipos de dispositivos alojados y sistemas operativos, sin la complejidad que implica tener que implementar clientes IEEE 802.1X en cada terminal.
- Los mecanismos de defensa avanzados, entre otros, la inspección dinámica del protocolo de resolución de direcciones (ARP), la protección de IP de origen y la detección del protocolo de configuración dinámica de hosts (DHCP), detectan y bloquean ataques deliberados de la red. Las combinaciones de estos protocolos también se conocen como enlace de puerto IP a MAC (IPMB).
- La seguridad de primer salto en IPv6 extiende la protección avanzada contra amenazas a IPv6. Este conjunto de seguridad integral incluye inspección ND, protección de RA, monitoreo DHCPv6 y verificación de la integridad de enlaces vecinos, con lo cual ofrece protección inigualable contra una amplia gama de falsificaciones de direcciones y ataques de intermediarios en redes IPv6.
- Secure Core Technology (SCT) permite garantizar que el switch sea capaz de procesar el tráfico de administración ante un ataque de denegación de servicio (DoS).

Power over Ethernet

Los switches Cisco Business serie 350 están disponibles con hasta 48 puertos Power over Ethernet (PoE). Esta función simplifica las implementaciones de tecnología avanzada, como telefonía IP, conectividad inalámbrica y vigilancia IP, ya que le permite conectar y alimentar terminales de red mediante un simple cable Ethernet. Sin la necesidad de colocar fuentes de alimentación individuales para los teléfonos IP o los puntos de acceso inalámbricos, usted puede aprovechar las tecnologías de comunicaciones avanzadas con mayor rapidez y a un costo menor. Los modelos admiten 802.3af PoE y 802.3atx PoE+.

offitek
 RUC 1-02-89398
 Santiago Domingo Ríos

Implementación de voz automática en toda la red

Mediante una combinación del Cisco Discovery Protocol, detección de terminales de medios del protocolo de detección de capa de enlace (LLDP-MED), Auto Smartports y el protocolo de detección de servicios de voz (VSDP, un protocolo único de Cisco), los clientes pueden implementar una red de voz de punta a punta de forma dinámica. Los switches de la red convergen automáticamente en una sola red de área local virtual (VLAN) de voz y parámetros de calidad de servicio (QoS); luego, se propagan a los teléfonos en los puertos donde se detecten. Por ejemplo, las funciones automáticas de VLAN de voz le permiten conectar cualquier teléfono IP (entre ellos, teléfonos de terceros) en su red de telefonía IP y obtener tono de marcación de inmediato. El switch configura el dispositivo automáticamente con los parámetros adecuados de QoS y VLAN para priorizar el tráfico de voz.

Compatibilidad con IPv6

A medida que el esquema de direcciones IP evoluciona para adaptarse a un creciente número de dispositivos de red, los switches Cisco Business serie 350 admiten la transición a la próxima generación de redes. Estos switches siguen dando respaldo a IPv4 de la generación previa, lo cual le permite migrar al nuevo estándar IPv6 a su propio ritmo, y lo ayuda a garantizar que la red actual seguirá respaldando sus aplicaciones empresariales en el futuro. Los switches Cisco Business serie 350 han completado satisfactoriamente las exigentes pruebas de IPv6 y han recibido las certificaciones USGv6 e IPv6 Gold.

Administración del tráfico de capa 3 avanzado

Los switches Cisco Business serie 350 permiten un conjunto más avanzado de funcionalidades para administración de tráfico a fin de permitir que las empresas en crecimiento organicen sus redes de manera más eficaz y eficiente. Por ejemplo, los switches proporcionan routing estático de capa 3, lo cual le permite segmentar su red en grupos de trabajo y comunicarse entre las VLAN sin reducir el rendimiento de las aplicaciones.

Con estas funcionalidades puede promover la eficiencia de su red, ya que libera al router de las tareas de manejo de tráfico interno desde el router y le permite administrar en primer lugar el tráfico externo y la seguridad.

Diseño compacto:

El diseño elegante y compacto de los switches Cisco Business serie 350 ofrece una flexibilidad de implementación adicional, incluida la instalación de armarios de cableado externo, como tiendas minoristas, oficinas abiertas y aulas sin alterar el entorno.

Eficacia energética

Los switches Cisco Business serie 350 integran una variedad de características que ahorran energía en todos los modelos, lo cual proporciona el portafolio de switching más integral y de óptimo rendimiento energético de la industria. Estos switches se diseñaron para conservar la energía mediante la optimización de la alimentación, lo cual permite proteger el entorno y reducir sus costos energéticos. Proporcionan una solución de red ecológica sin comprometer su desempeño. Los switches Cisco Business serie 350 incluyen lo siguiente:

- Respaldo para el estándar Ethernet con eficacia energética (IEEE 802.3az), lo que reduce el consumo de energía mediante la supervisión de la cantidad de tráfico en un enlace activo y el cambio a un enlace inactivo durante los tiempos de inactividad.
- Apagado de alimentación automático en los puertos cuando un enlace está inactivo
- Inteligencia integrada para ajustar la potencia de la señal, según la longitud del cable conector.
- Diseño sin ventilador en la mayoría de los modelos, lo que reduce el consumo de energía, aumenta la confiabilidad y proporciona un funcionamiento más silencioso

Tranquilidad y protección de la inversión

Los switches Cisco Business serie 350 ofrecen el rendimiento confiable y la tranquilidad que espera de un switch Cisco. Una solución que se ha probado rigurosamente para garantizar un tiempo de actividad de la red óptimo a fin de garantizar la continuidad del negocio. Acceso complementario por un año a nuestro Centro de soporte técnico para Cisco Small Business para soporte continuo. Garantía limitada de por vida con sustitución avanzada al siguiente día laborable (NBD) (cuando sea posible) para un óptimo funcionamiento de la empresa.

Especificaciones del producto

En la Tabla 1 se detallan las especificaciones del producto de los switches Cisco Business serie 350.

Tabla 1. Especificaciones del producto

Característica	Descripción		
Rendimiento			
Capacidad de switching y velocidad de envío	Nombre del modelo	Capacidad en millones de paquetes por segundo (mpps) (paquetes de 64 bytes)	Capacidad de switching en gigabits por segundo (Gbps)
Todos los switches tienen velocidad de cable y no se bloquean.			
	CBS350-8T-E-2G	14,88	20,0
	CBS350-8P-2G	14,88	20,0
	CBS350-8P-E-2G	14,88	20,0
	CBS350-8FP-2G	14,88	20,0
	CBS350-8FP-E-2G	14,88	20,0
	CBS350-16T-2G	26,78	36,0
	CBS350-16T-E-2G	26,78	36,0
	CBS350-16P-2G	26,78	36,0
	CBS350-16P-E-2G	26,78	36,0
	CBS350-16FP-2G	26,78	36,0
	CBS350-24T-4G	41,66	56,0
	CBS350-24P-4G	41,66	56,0
	CBS350-24FP-4G	41,66	56,0
	CBS350-48T-4G	77,38	104,0

offitek
RNC: 1-01-89393-
Santo Domingo R.D.

Característica	Descripción		
	CBS350-48P-4G	77,38	104,0
	CBS350-48FP-4G	77,38	104,0
	CBS350-24T-4X	95,23	128,0
	CBS350-24P-4X	95,23	128,0
	CBS350-24FP-4X	95,23	128,0
	CBS350-48T-4X	130,94	176,0
	CBS350-48P-4X	130,94	176,0
	CBS350-48FP-4X	130,94	176,0

Switching de capa 2

Protocolo de árbol de extensión

Compatible con el árbol de expansión 802.1d estándar

Convergencia rápida mediante 802.1w (árbol de expansión rápida [RSTP]) activada en forma predeterminada

Instancias de árbol de expansión múltiple mediante 802.1s (MSTP); 8 instancias compatibles

Árbol de expansión por VLAN Plus (PVST+) y PVST+ rápido (RPVST+); 126 instancias compatibles

Agregación de enlaces/agrupación de puertos

Compatibilidad con el protocolo de control de agregación de enlaces (LACP) IEEE 802.3ad

- Hasta 8 grupos
- Hasta 8 puertos por grupo con 16 posibles puertos por cada agregación (dinámica) de enlaces 802.3ad

VLAN

Soporte para un máximo de 4,094 redes VLAN simultáneamente

VLAN basadas en puertos y en etiquetas 802.1Q; VLAN basada en MAC; VLAN basada en protocolos; VLAN basada en subred IP

VLAN de administración

VLAN privada con puerto promiscuo, aislado y comunitario

Perímetro de VLAN privada (PVE), también conocido como puertos protegidos, con varios uplinks

VLAN para usuarios temporales, VLAN sin autenticación

Asignación de VLAN dinámica por medio del servidor Radius junto con autenticación de cliente 802.1x

VLAN CPE

offitek
 RINC 1-01-89398
 Santo Domingo, D.R.

Característica	Descripción
VLAN de voz	El tráfico de voz se asigna automáticamente a una VLAN específica de voz y se trata con los niveles apropiados de QoS. Las capacidades de voz automáticas proporcionan implementación automatizada, en toda la red, de los terminales de voz y dispositivos de control de llamadas.
VLAN de multidifusión TV	La VLAN de multidifusión TV permite compartir una VLAN de multidifusión única mientras los suscriptores permanecen en VLAN separadas. Esta característica también se conoce como registro de VLAN de multidifusión (MVR)
Traducción VLAN	Soporte de asignación uno a uno de VLAN. En la asignación uno a uno de VLAN, en una interfaz perimetral las VLAN cliente (C-VLAN) se asignan a VLAN de proveedor de servicios (S-VLAN) y las etiquetas de C-VLAN originales se reemplazan por la S-VLAN especificada
Q-in-Q	Las VLAN cruzan en forma transparente una red de proveedor de servicios mientras aíslan el tráfico entre los clientes.
Q-in-Q selectiva	<p>La Q-in-Q selectiva es una mejora de la función Q-in-Q básica y ofrece, por interfaz perimetral, múltiples asignaciones de diferentes C-VLAN a S-VLAN separadas</p> <p>La Q-in-Q selectiva también permite configurar el Ethertype (identificador del protocolo de rótulos [TPID]) de la etiqueta S-VLAN</p> <p>También se admite el túnel de protocolo de capa 2 sobre Q-in-Q</p>
Protocolo genérico de registro de la VLAN (GVRP)/Protocolo genérico del registro de atributos (GARP)	El protocolo genérico de registro de VLAN (GVRP) y el protocolo genérico de registro de atributos (GARP) permiten la propagación automática y la configuración de las redes VLAN en un dominio en puente
Detección de enlace unidireccional (UDLD)	UDLD supervisa la conexión física para detectar enlaces unidireccionales que se generaron debido al cableado incorrecto o a fallas en los puertos o cables, para prevenir bucles de reenvío o agujeros negros de tráfico en redes conmutadas.
Retransmisión de protocolo de configuración dinámica de host (DHCP) en capa 2	Retransmisión de tráfico DHCP a servidor DHCP en otra VLAN; funciona con la opción 82 de DHCP.
Detección del protocolo de administración de grupos de Internet (IGMP) versiones 1, 2 y 3	IGMP limita el tráfico multidifusión de uso intensivo del ancho de banda únicamente a los solicitantes; admite 2 grupos de multidifusión (también se admite la multidifusión específica del origen)
Función de consulta de IGMP	La función de consulta de IGMP sirve para admitir un dominio de multidifusión de capa 2 de switches de detección ante la falta de un router de multidifusión.
Bloqueo de cabecera (HOL)	Prevención de bloqueo HOL
Detección de bucle invertido	La detección de bucle invertido proporciona protección contra bucles mediante la transmisión de paquetes de protocolo de bucles fuera de los puertos donde se habilita la protección contra bucles. Funciona independientemente de STP

offitel
RNC 1-01789793
Luis P. Martínez R. 3

Característica	Descripción
Capa de sockets seguros (SSL)	Compatibilidad con SSL: cifra todo el tráfico HTTPS, lo que permite un acceso muy seguro a la GUI de configuración de dispositivos basada en navegador en el switch
IEEE 802.1X (función de Autenticador)	802.1X: autenticación y administración del servicio de usuario de acceso telefónico de autenticación remota (RADIUS), algoritmo hash MD5; VLAN para usuarios temporales; VLAN no autenticada, modo host único/múltiple y sesiones únicas/múltiples Admite la asignación de red VLAN dinámica, 802.1X basada en tiempo.
Autenticación web	La autenticación web proporciona control de admisión a la red mediante el navegador web para todos los sistemas operativos y dispositivos de host.
Protección de la unidad de datos de protocolo puente (BPDU) STP	Un mecanismo de seguridad para proteger la red de configuraciones no válidas. Un puerto habilitado para protección BPDU se apaga si se recibe un mensaje BPDU en ese puerto. Esta acción evita bucles de topología accidentales.
Protección de raíz de STP	Esto evita que dispositivos perimetrales que no están bajo el control del administrador de la red se conviertan en nodos de raíz del protocolo de árbol de extensión
Protección de bucle invertido de STP	Proporciona protección adicional contra bucles de reenvío de capa 2 (bucles de STP).
Detección de DHCP	Filtra los mensajes DHCP con direcciones IP no registradas o de interfaces inesperadas o no confiables. Evita que dispositivos imprevistos se comporten como servidores DHCP.
Protección de IP de origen (IPSG)	Cuando se activa la protección de IP de origen en un puerto, el switch filtra los paquetes IP recibidos desde el puerto si las direcciones IP de origen de los paquetes no se han configurado en forma estática o no se han detectado dinámicamente desde la detección de DHCP. Esto evita la suplantación de identidad en direcciones IP.
Inspección ARP dinámica (DAI)	El switch desecha los paquetes ARP de un puerto si no hay enlaces estáticos o dinámicos IP/MAC o si hay discrepancias entre las direcciones origen y destino en el paquete ARP. Esto evita los ataques con intermediario.
Enlace de puertos IP/Mac (IPMB)	Las funciones mencionadas (snooping DHCP, protección de IP de origen e inspección ARP dinámica) funcionan en conjunto para evitar ataques de DOS en la red y, de este modo, aumentan la disponibilidad de red.
Secure Core Technology (SCT)	Garantiza que el switch reciba y procese el tráfico de administración y protocolo sin importar cuánto tráfico reciba.
Datos confidenciales seguros (SSD)	Un mecanismo para administrar datos sensibles (como contraseñas, claves, etc.) de manera segura en el switch, que completa estos datos en otros dispositivos y asegura la configuración automática. Se brinda acceso a una visualización de datos sensibles, como texto simple o cifrado, según el nivel de acceso configurado para el usuario y el método de acceso del usuario.
Sistemas confiables	Los sistemas confiables ofrecen una base sumamente segura para los productos Cisco Defensas de tiempo de ejecución (protección de espacio ejecutable [espacio X], aleatorización de diseño de espacio de direccionamiento [ASLR], verificación del tamaño de objeto integrado [BOSC])

offitel
 P. 1-01-89398-1
 [Handwritten signature]

Característica	Descripción
VLAN privada	La red VLAN privada ofrece seguridad y aislamiento entre los puertos del switch y, de esa manera, impide que los usuarios espíen el tráfico de otros; admite múltiples uplinks.
Perímetro de VLAN privada (PVE) con aislamiento de capa 2 y comunidad VLAN	PVE (también conocido como puertos protegidos) brinda aislamiento de capa 2 entre dispositivos de la misma VLAN, admite varios uplinks
Seguridad del puerto	Capacidad de bloquear direcciones MAC de origen a los puertos y limitar la cantidad de direcciones MAC detectadas
RADIUS/TACACS+	Admite la autenticación de RADIUS y TACACS. Funciones de switch como cliente
Administración de RADIUS	Las funciones de administración de Radius permiten que los datos se envíen al inicio y finalización de los servicios, e indican la cantidad de recursos (como tiempo, paquetes, bytes, etc.) que se utilizaron durante la sesión.
Control de tormentas	Difusión, multidifusión y unidifusión desconocida.
Prevención de denegación de servicio (DoS)	Prevención de ataques de denegación de servicio (DOS)
Diversos niveles de privilegio para usuarios en CLI	Niveles de privilegio 1, 7 y 15
Listas de control de acceso (ACL)	<p>Soporte hasta para 1024 reglas</p> <p>Límite de velocidad o descarte en función de la dirección MAC de origen y destino, la ID de VLAN o la dirección IPv4 o IPv6, la etiqueta de flujo IPv6, el protocolo, el puerto, el punto de código de servicios diferenciados (DSCP)/la precedencia IP, los puertos de origen y destino del protocolo de control de transmisión/protocolo de datagrama de usuario (TCP/UDP), la prioridad 802.1p, el tipo de Ethernet, los paquetes de protocolo de mensajes de control de Internet (ICMP), los paquetes de IGMP, el indicador TCP; la ACL puede aplicarse en ambos lados de ingreso y egreso</p> <p>Admite ACL basadas en tiempo.</p>

Calidad de servicio	
Niveles de prioridad	8 colas de hardware
Programación	Prioridad estricta y operación por turnos ponderada (WRR)
Clase de servicio	<p>Basado en puerto; basado en prioridad de VLAN 802.1p; basado en precedencia IP IPv4/v6/tipo de servicio (ToS)/DSCP; servicios diferenciados (DiffServ); ACL de clasificación y observaciones, QoS de confianza</p> <p>Asignación de cola sobre la base de DSCP y clase de servicio (802.1p/CoS)</p>
Limitación de velocidad	Vigilantes de tráfico entrante; modelado saliente y control de velocidad; por VLAN, por puerto y basado en el flujo; regulador 2PTC

offitek
 RNC 101898939
 CAROLINA MARTINEZ